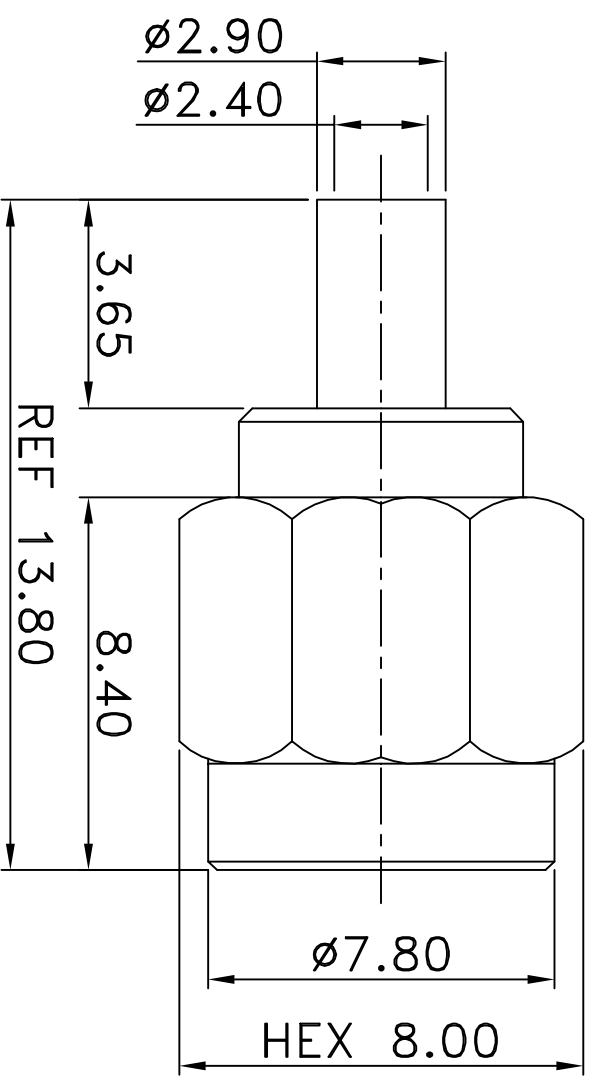
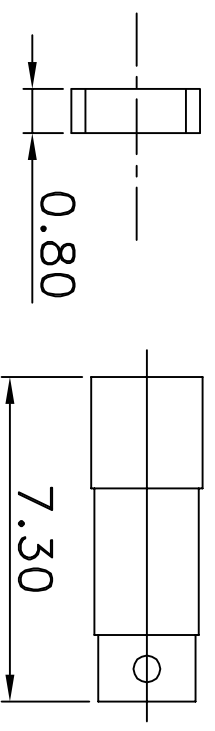
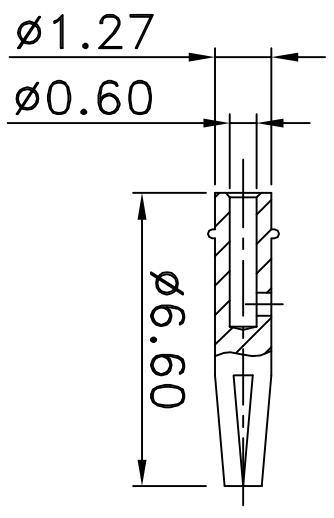


REV	DESCRIPTION	DRAWN	DATE



NO	Description	Qty	Material	Finish
3	DIELECTRIC	1	TEFLON	NONE
2	PIN	1	BRASS	GOLD
1	BODY	1	BRASS	GOLD

<b>R&amp;D</b>		<small>Z:\09-09\2009\20090914\RP-1-1.dwg</small> 2009.09.14	
* MAJOR DIMENSION UNLESS OTHERWISE NOTED TOLERANCES 0.5-6 = $\pm 0.2$ 6-30 = $\pm 0.4$ 30-120 = $\pm 0.6$ 120-315 = $\pm 1.0$ ANGLES = $\pm 1.0$		APPROVED <b>CASH</b>	DRAWN <b>PEN</b>
SCALE	4/1	UNIT	MM
DRAWN DATE 09/09/14		DRAWN <b>LYDIA</b>	
TITLE <b>RP SMA MALE CRIMP TYPE</b>		華城電子有限公司 RF CASTLE ELECTRONICS CO.,LTD	
DRAWING NO. SMA-1001-24-RP-M-TGG		REV	LY A