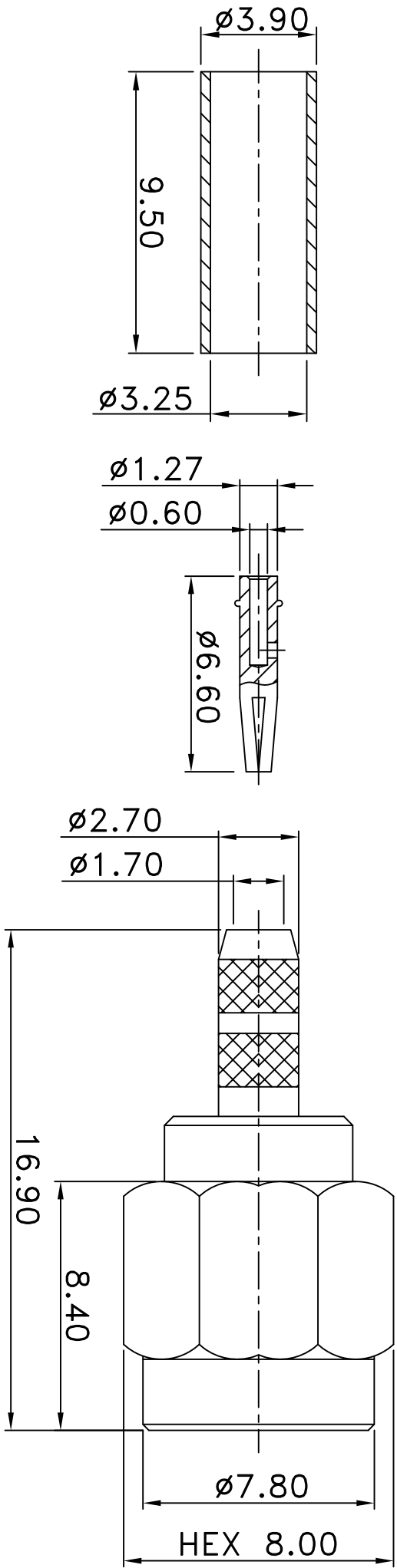


REV	DESCRIPTION	DRAWN	DATE



NO	Description	Qty	Material	Finish
3	DIELECTRIC	1	TEFLON	NONE
2	PIN	1	BRASS	GOLD
1	BODY	1	BRASS	GOLD

R&D

*** MAJOR DIMENSION**

UNLESS OTHERWISE NOTED TOLERANCES
0.5-6 = ±0.2
6-30 = ±0.4
30-120 = ±0.6
120-315 = ±1.0
ANGLES = ±1.0

SCALE 4/1 UNIT MM

APPROVED
CASH

CHECKED
LYDIA

DRAWN
PEN

DRAWN DATE 09/02/03

TITLE
SMA MALE RP CRIMP TYPE

DRAWING NO.
SMA-1001-3-L-RP-TGG

REV
GL A

RF Castle 華城電子有限公司
RF CASTLE ELECTRONICS CO., LTD