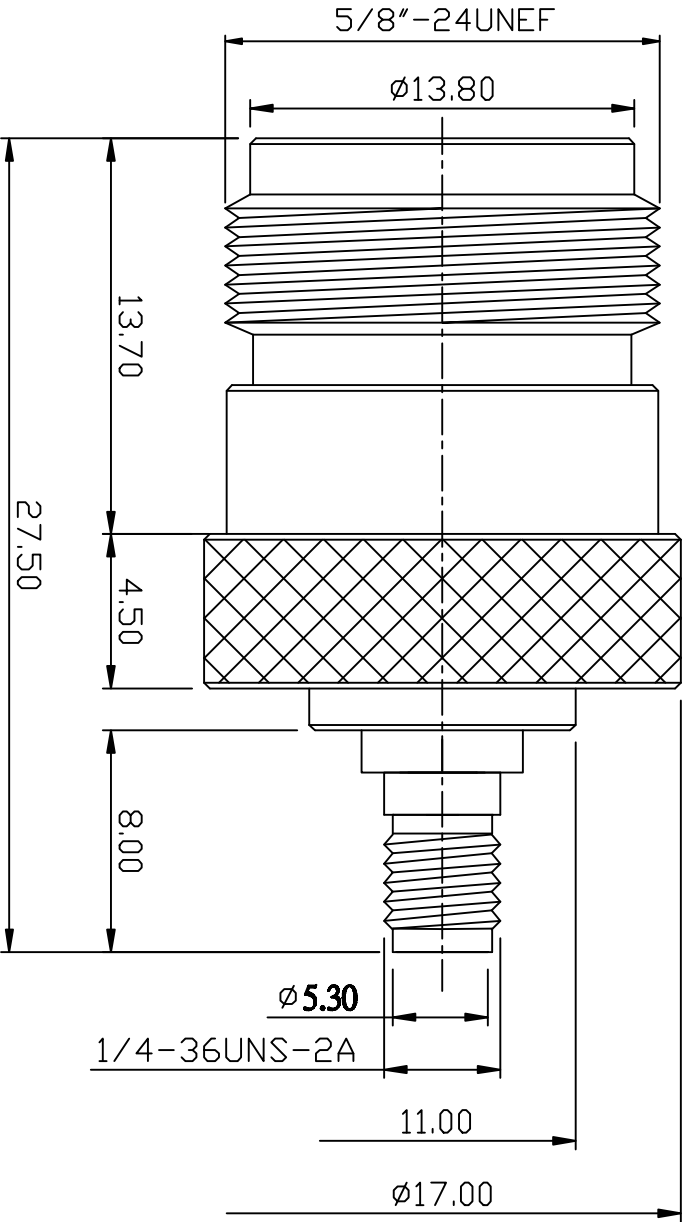


REV	DESCRIPTION	DRAWN	DATE



NO	Description	Qty	Material	Finish
5	FERRULE	1	BRASS	NICKEL
4	SLEEVE	1	BRASS	NICKEL
3	DIELECTRIC	1	TEFLON	NONE
2	PIN	1	BRASS	GOLD
1	BODY	1	BRASS	NICKEL

R & D		* MAJOR DIMENSION	
		APPROVED CASH	
UNLESS OTHERWISE NOTED TOLERANCES 0.5-6=±0.2 6-30=±0.4 30-120=±0.6 120-315=±1.0 ANGLES=±1°		CHECKED LYDIA	
SCALE	4/1	UNIT	MM
DRAWN		DRAWN DATE 04/04/12	
PEN		DRAWN	
TITLE			
DRAWING NO.		SMA FEMALE TO N FEMALE	
SMA-1044-2-TGN		REV	
		A	