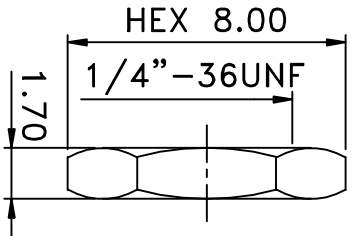
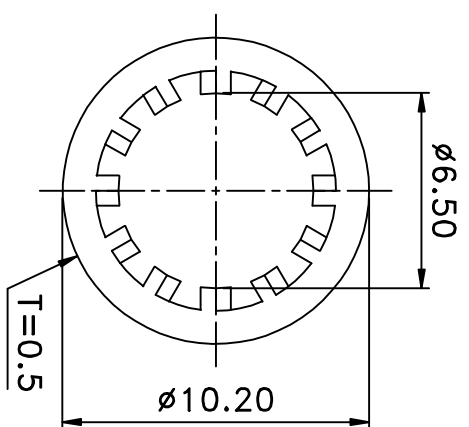
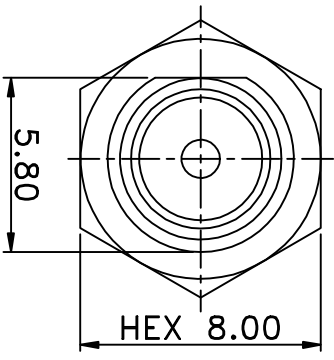
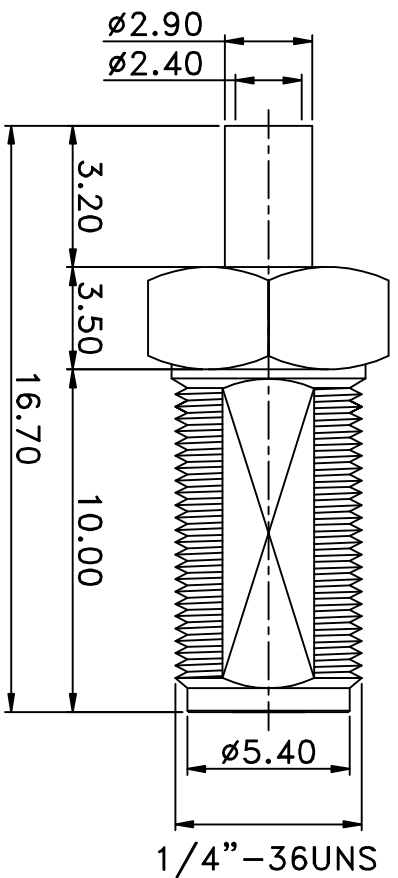
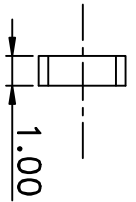
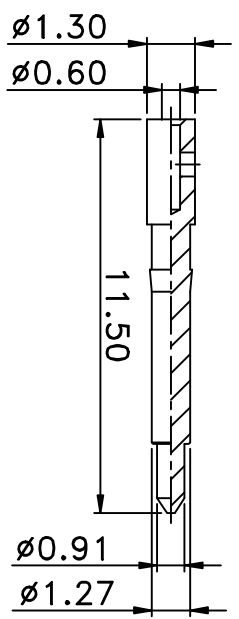
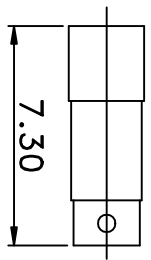
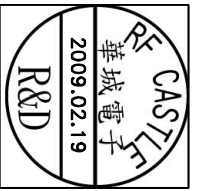


REV	DESCRIPTION	DRAWN	DATE



NO	Description	QTY	Material	Finish
3	DIELECTRIC	1	TEFLON	NONE
2	PIN	1	BRASS	GOLD
1	BODY	1	BRASS	GOLD

R&D



\* MAJOR DIMENSION

UNLESS OTHERWISE NOTED TOLERANCES  
 0.5-6=±0.2  
 6-30=±0.4  
 30-120=±0.6  
 120-315=±1.0  
 ANGLES=±1°

SCALE	4/1	UNIT	MM	DRAWN DATE	09/02/19
-------	-----	------	----	------------	----------

APPROVED  
CASH

CHECKED  
LYDIA

DRAWN  
PEN



TITLE  
SMA FEMALE RP BKF CRIMP FOR 1.13  
 DRAWING NO.  
SMA-1012-58-1-RP-TGG  
 REV  
LY A