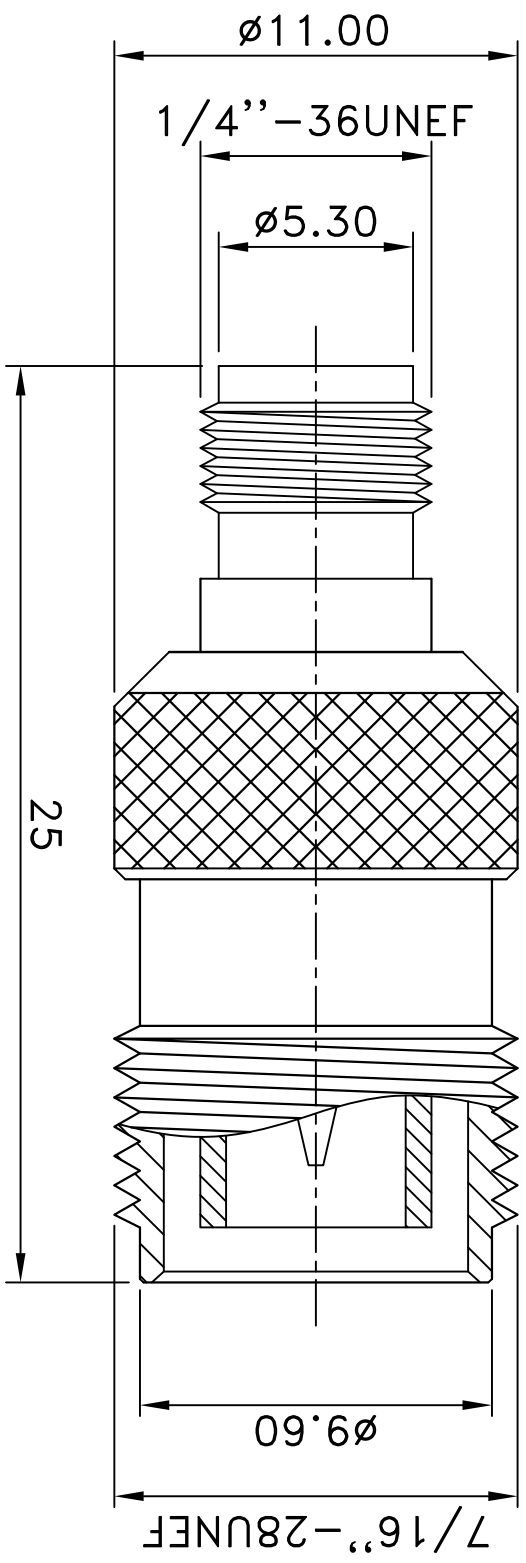


REV	DESCRIPTION	DRAWN	DATE



NO	Description	Qty	Material	Finish
3	DIELECTRIC	1	TEFLON	NONE
2	PIN	1	BRASS	GOLD
1	BODY	1	BRASS	NICKEL

R&D	

* MAJOR DIMENSION		APPROVED	
UNLESS OTHERWISE NOTED TOLERANCES		CASH	
0.5-6=±0.2	6-30=±0.4	CHECKED	LYDIA
30-120=±0.6	120-315=±1.0	DRAWN	KEVIN
ANGLES=±1°		DRAWN DATE	01/28/13

SCALE	5/1	UNIT	MM
-------	-----	------	----

TITLE	
SMA FEMALE TO RP TNC FEMALE ADAPTER	
DRAWING NO.	SMA-1027-4-RP-TGN
REV	JL A

華城電子有限公司	
RF CASTLE ELECTRONICS CO.,LTD	