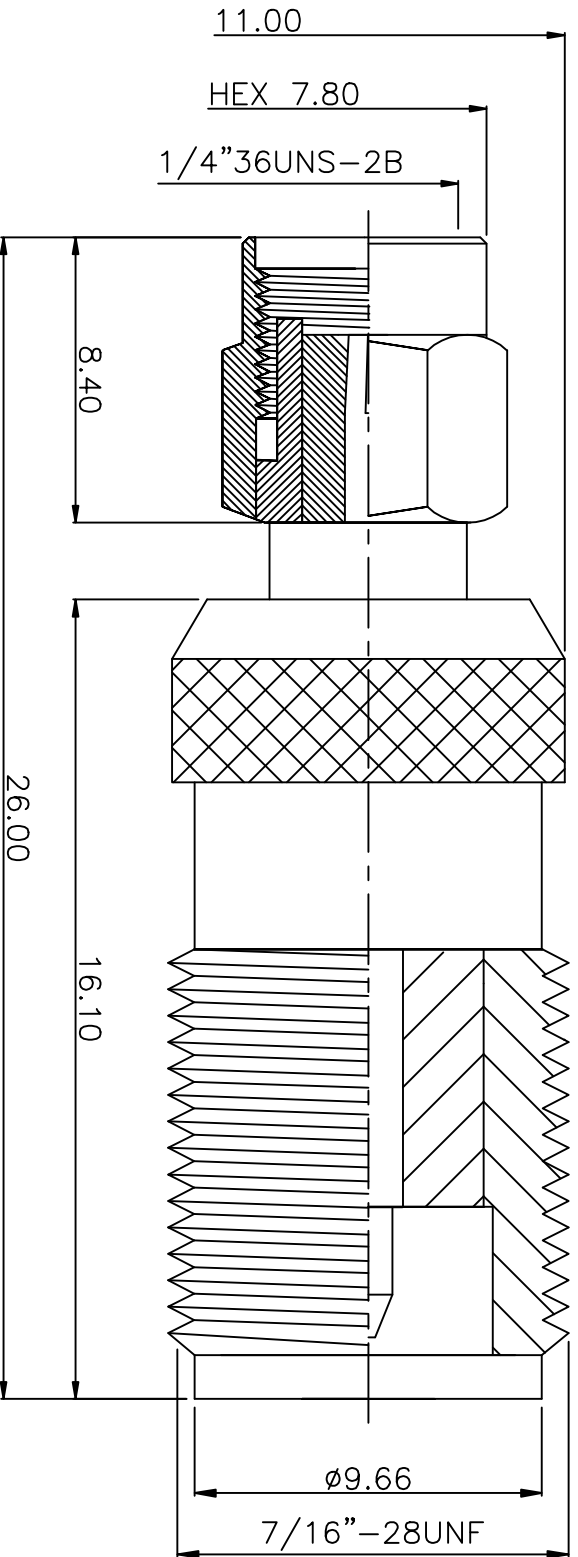
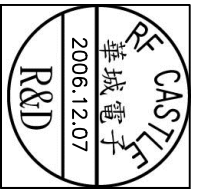


REV	DESCRIPTION	DRAWN	DATE



NO	Description	Qty	Material	Finish
9	SHELL(S-004)	1	BRASS	NICKEL
8	RETAINING RING(W-007)	1	BRASS	NICKEL
7	GASKET(G-014-SI)	1	SI-RUBBER	ORANGE
6	WASHER(W-005)	1	BRASS	NICKEL
5	DIELECTRIC(T-00013)	1	TELFON	WHITE
4	DIELECTRIC(T-02009)	1	TELFON	WHITE
3	PIN(C-08006)	1	BRASS	GOLD
2	PIN	1	BRASS	NICKEL
1	BODY	1	BRASS	NICKEL



R&D

* MAJOR DIMENSION

UNLESS OTHERWISE NOTED
 TOLERANCES
 0.5-6=±0.2
 6-30=±0.4
 30-120=±0.6
 120-315=±1.0
 ANGLES=±1°

SCALE 4/1 UNIT MM DRAWN DATE 06/12/07

APPROVED
 CASH

CHECKED
 LYDIA

DRAWN
 Betty



TITLE
 SMA MALE RP TO TNC FEMALE RP ADAPTER 500HM
 DRAWING NO. SMA-1032-2-RP-TGN
 REV
 GL A