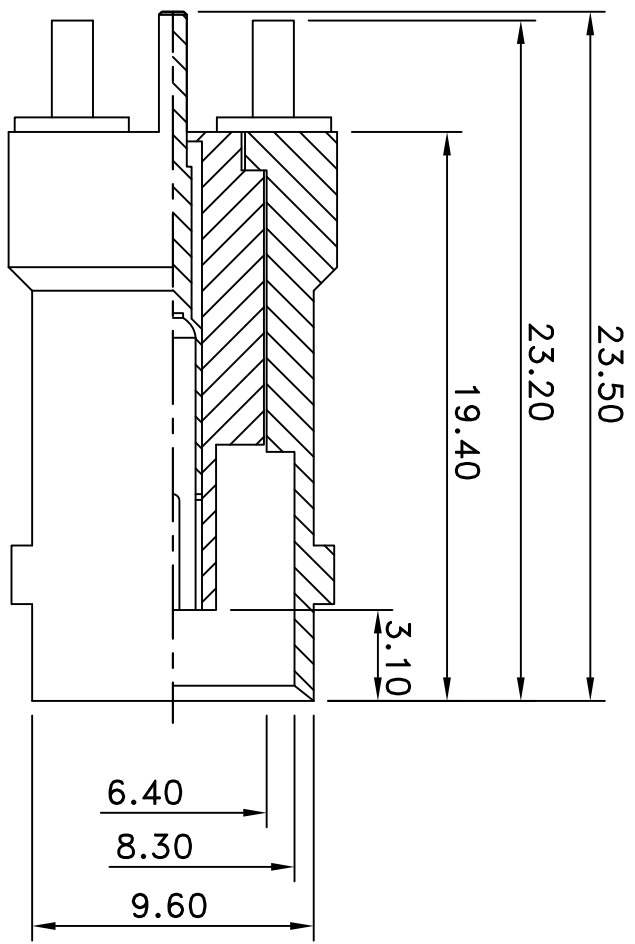
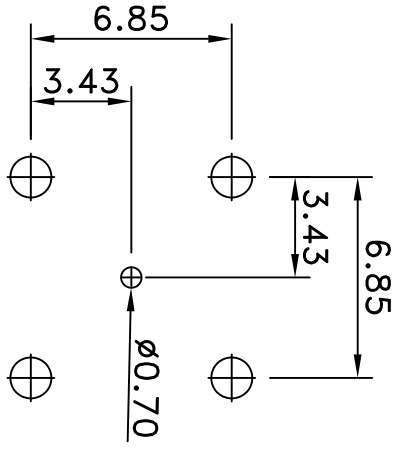
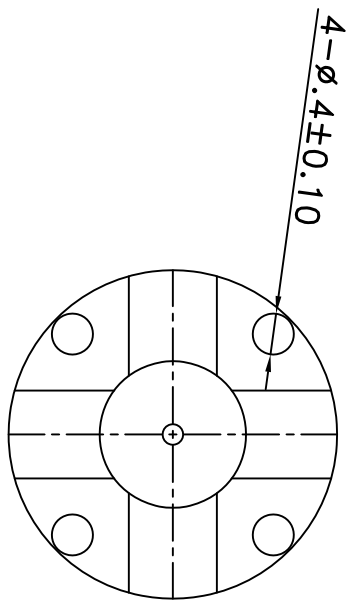
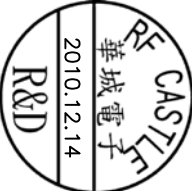



REV	DESCRIPTION	DRAWN	DATE



NO	Description	Qty	Material	Finish
3	DIELECTRIC	1	POM	NONE
2	PIN	1	BRASS	GOLD
1	BODY	1	Zinc alloy for die casting	NICKEL

		R&D	
* MAJOR DIMENSION		APPROVED CASH	
UNLESS OTHERWISE NOTED TOLERANCES 0.5-6=±0.2 6-30=±0.4 30-120=±0.6 120-315=±1.0 ANGLES=±1°		CHECKED LYDIA	
SCALE	5/1	UNIT	MM
DRAWN		DRAWN DATE	
KEVIN		10/12/14	
 華城電子有限公司 RF CASTLE ELECTRONICS CO.,LTD			
TITLE			
BNC FEMALE PCB MOUNT			
DRAWING NO.			
BNC-1321-2-75-PGN			
REV			A