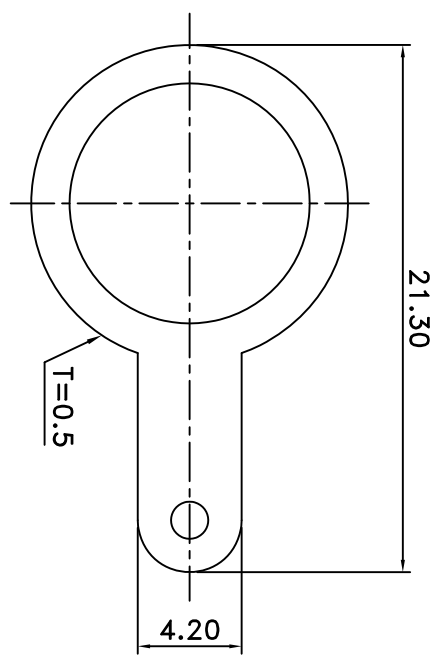
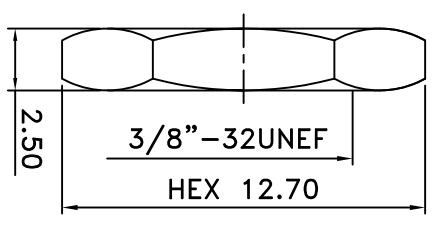
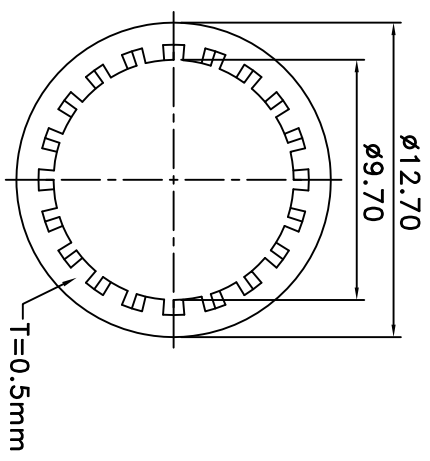
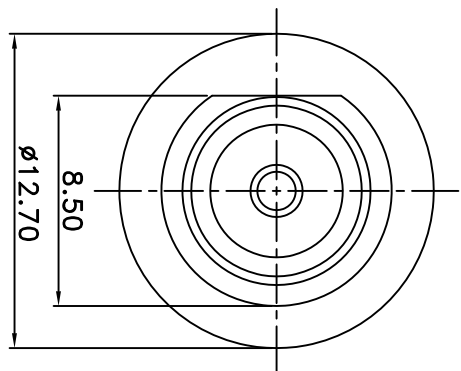
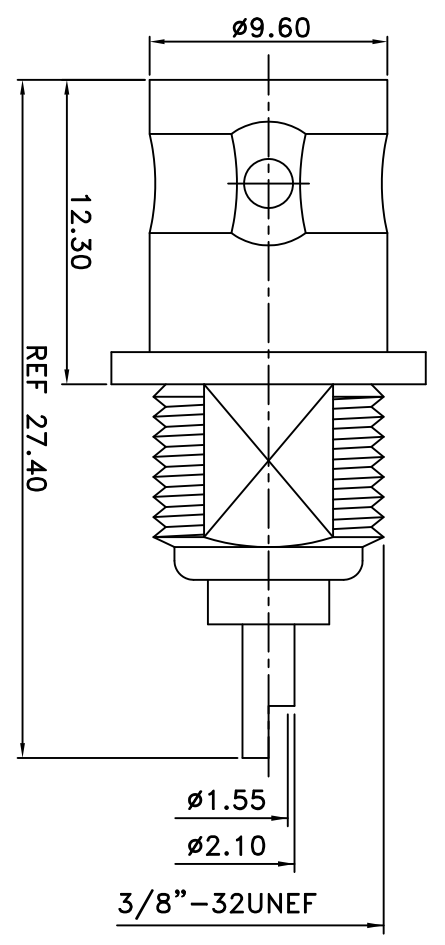


REV	DESCRIPTION	DRAWN	DATE



NO	Description	Qty	Material	Finish
3	DIELECTRIC	1	TEFLON	NONE
2	PIN	1	BRASS	GOLD
1	BODY	1	BRASS	NICKEL

R&D



* MAJOR DIMENSION

UNLESS OTHERWISE NOTED TOLERANCES
 0.5-6 = ±0.2
 6-30 = ±0.4
 30-120 = ±0.6
 120-315 = ±1.0
 ANGLES = ±1°

SCALE	4/1	UNIT	MM
-------	-----	------	----

APPROVED	CASH
CHECKED	LYDIA
DRAWN	PEN
DRAWN DATE	09/03/13

TITLE	BNC FEMALE BULKHEAD LONG THREAD
DRAWING NO.	BNC-1342-1-50-DGN
REV	GL A

