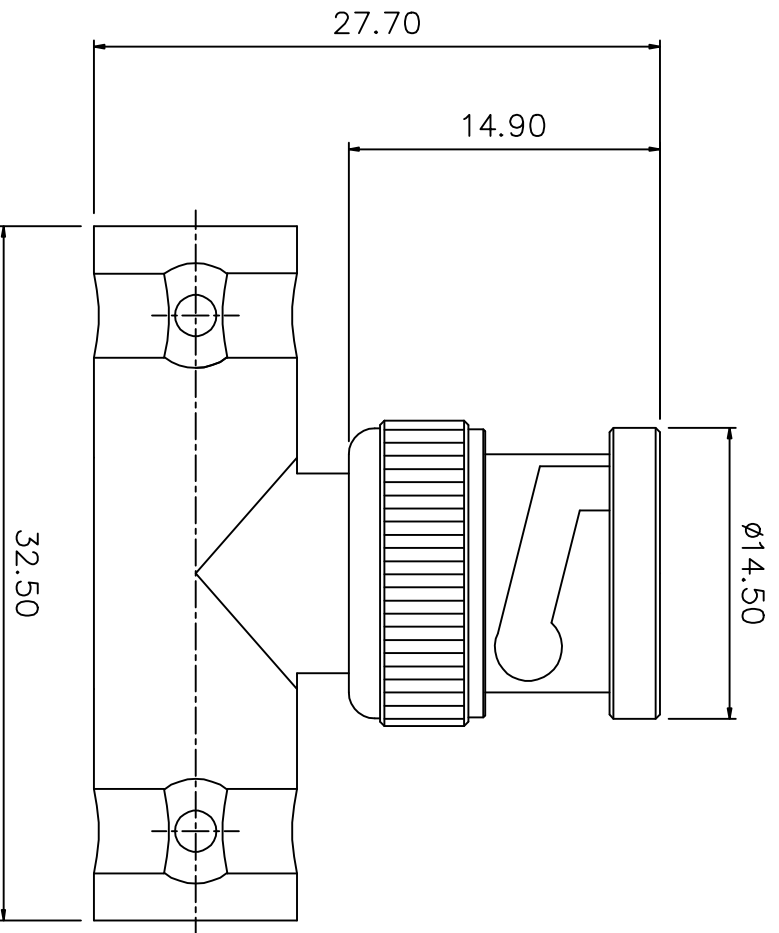
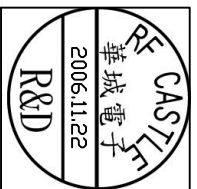


REV	DESCRIPTION	DRAWN	DATE



NO	Description	Qty	Material	Finish
8	GASKET	1	RUBBER	RED
7	SPRING	1	SK-5	NICKEL
6	WASHER	2	STEEL	NICKEL
5	WASHER	1	BRASS	NICKEL
4	INSULATOR	2	DELIRIN	WHITE
3	PIN	2	BRASS	GOLD
2	BDDY	1	BRASS	NICKEL
1	SHELL	1	BRASS	NICKEL



R & D

* MAJOR DIMENSION

UNLESS OTHERWISE NOTED
 TOLERANCES
 0.5-6 = ±0.2
 6-30 = ±0.4
 30-120 = ±0.6
 120-315 = ±1.0
 ANGLES = ±1°

SCALE 4/1 UNIT MM

APPROVED
CASH

CHECKED
LYDIA

DRAWN
PEN

DRAWN DATE 06/11/22



TITLE

BNC MALE TO DOUBLE BNC FEMALE

DRAWING NO.

BNC-1378-1-TGN

REV

GL A