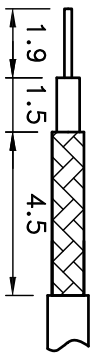
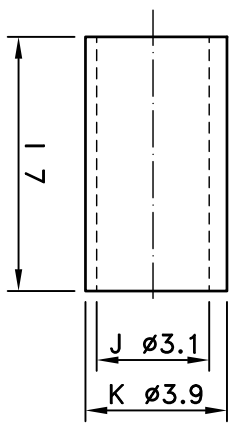
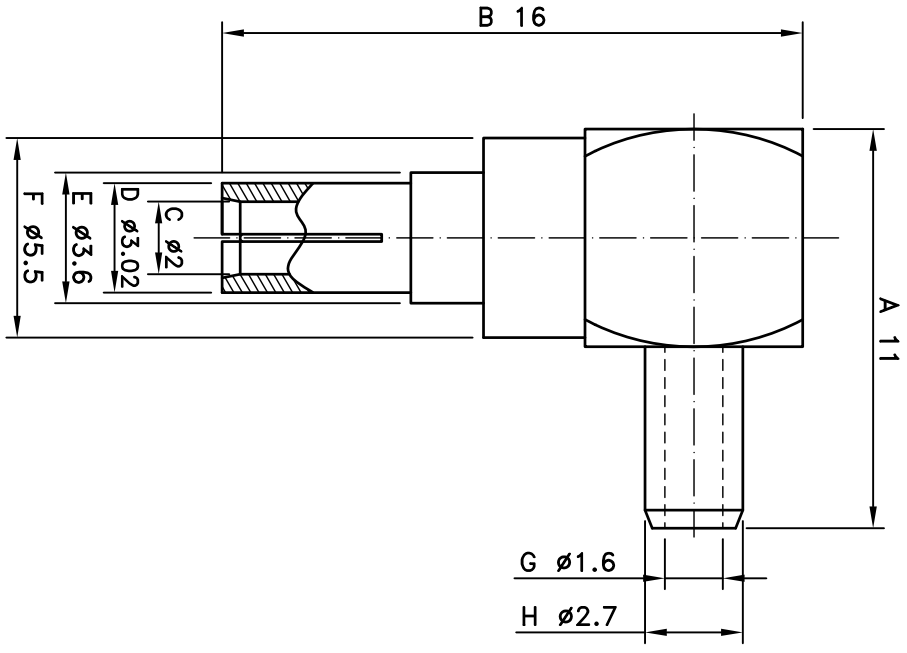


REV	DESCRIPTION	DRAWN	DATE



NO	Description	Qty	Material	Finish
4	FERRULE	1	BRASS	NICKEL
3	DIELECTRIC	1	TEFLON	NONE
2	PIN	1	BRASS	GOLD
1	BODY	1	BRASS	NICKEL

R&D

RF CASTLE
華城電子
2010.08.20
R&D

* MAJOR DIMENSION	APPROVED
UNLESS OTHERWISE NOTED TOLERANCES	CASH
0.5-6 = ± 0.2	CHECKED
6-30 = ± 0.4	LYDIA
30-120 = ± 0.6	DRAWN
120-315 = ± 1.0	KEVIN
ANGLES = ± 1.0	DRAWN DATE 10/08/20
SCALE 5/1	UNIT MM

TITLE

CRC9 MALE RIGHT ANGLE CRIMP

DRAWING NO. CRC9-302-1-L-TGN

RF CASTLE 華城電子有限公司
RF CASTLE ELECTRONICS CO., LTD

REV A