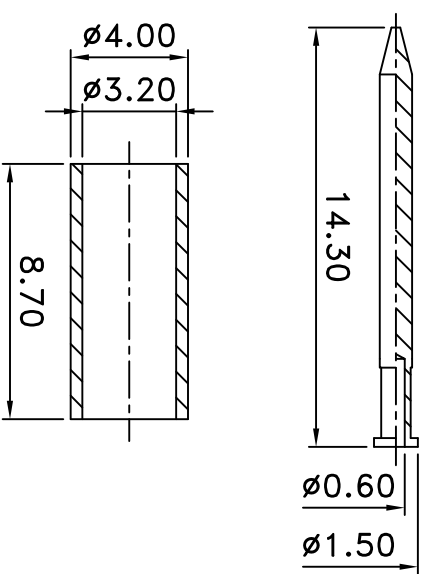
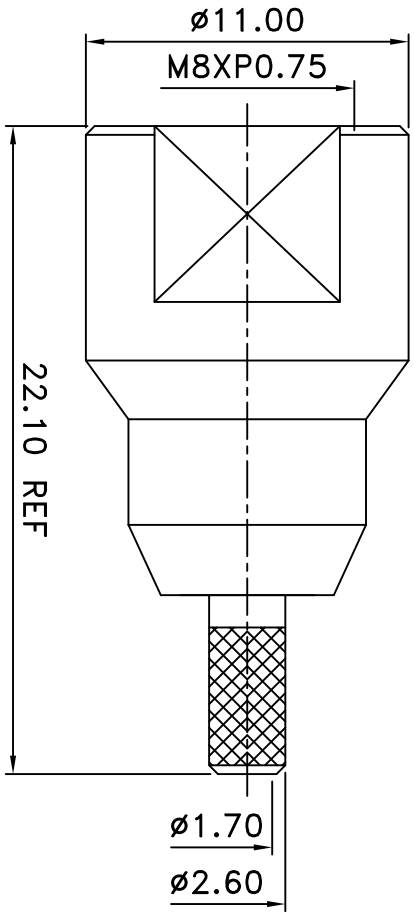



REV	DESCRIPTION	DRAWN	DATE




NO	Description	Qty	Material	Finish
5	Ferrule	1	Brass	Nickel
4	Ferrule	1	Brass	Nickel
3	Dielectric	1	Delrin	None
2	Pin	1	Brass	Gold
1	Body	1	Brass	Nickel

R&D



* MAJOR DIMENSION			
UNLESS OTHERWISE NOTED TOLERANCES			
0.5-6=±0.2	6-30=±0.4	30-120=±0.6	120-315=±1.0
ANGLES=±1°			
SCALE	4/1	UNIT	MM
APPROVED		DRAWN DATE 11/21/11	
CASH		KEVIN	
CHECKED		DRAWN	
LYDIA		LYDIA	


**華城電子有限公司**  
 RF CASTLE ELECTRONICS CO.,LTD

TITLE: FME MALE CRIMP TYPE

DRAWING NO. FME-2001-1-L-DGN

REV: YL A