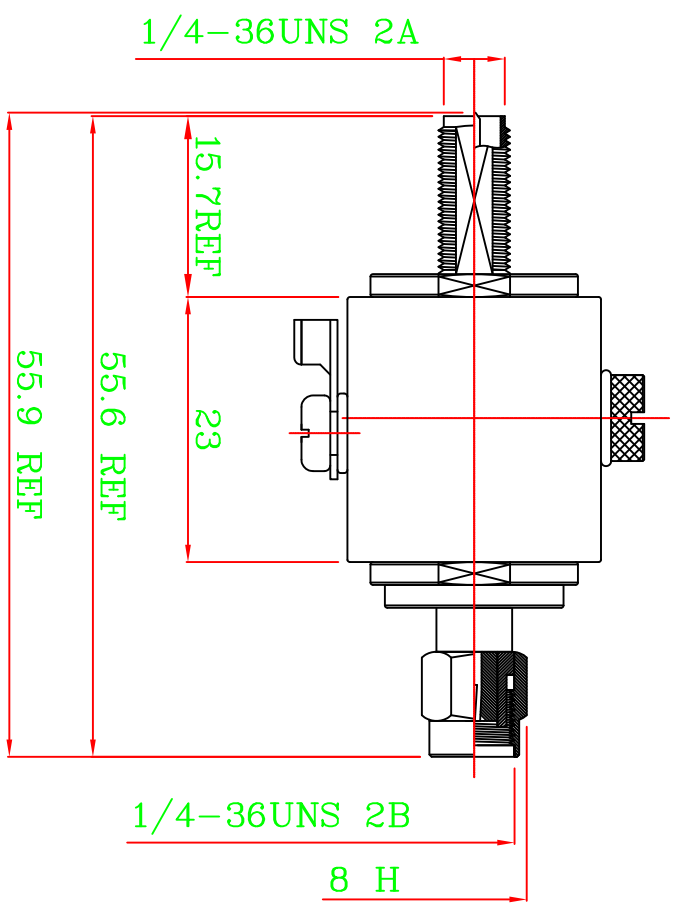
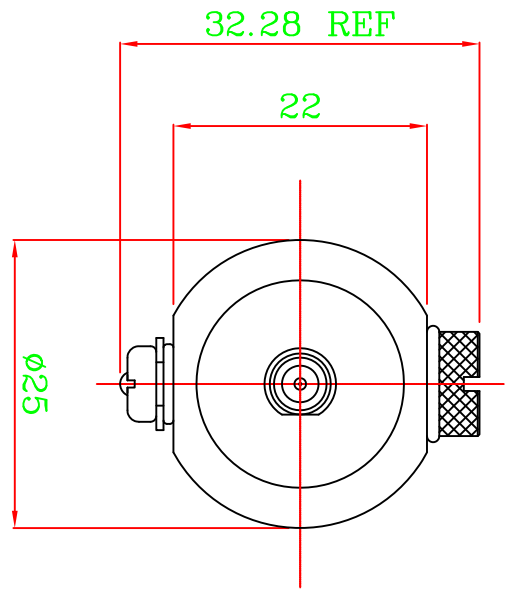


REV	DRAWN	DATE

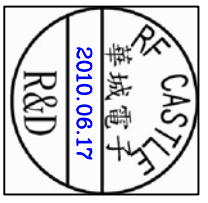
DESCRIPTION



Lightning Protector 6GHz  
 Frequency 0-6GHz  
 VSWR 1:1.7Max  
 Insertion Loss 0.9dBi Max  
 Impedance 50ohm

Gas Tube DC 230V±20%  
 Breakdown Vol tage ≤700V  
 Gas Tube Impulse Breakdown Vol tage ≥10000M Ohm  
 Gas Tube Insulation Resistance  
 Max Withstand Current 5 K V  
 RF Power Rating 15W

R&D



\* MAJOR DIMENSION  
 UNLESS OTHERWISE NOTED TOLERANCES  
 0.5-6=±0.2  
 6-30=±0.4  
 30-120=±0.6  
 120-315=±1.0  
 ANGLES=±1°

APPROVED  
 CASH

CHECKED  
 LYDIA

DRAWN  
 KEVIN

RCASTLE 華城電子有限公司  
 RF CASTLE ELECTRONICS CO.,LTD

TITLE  
 Lightning ProtectorRP-SMA(F) TO RP-SMA(M)

SCALE 4/1 UNIT MM DRAWN DATE 10/06/17

DRAWING NO. LP-21  
 REV A