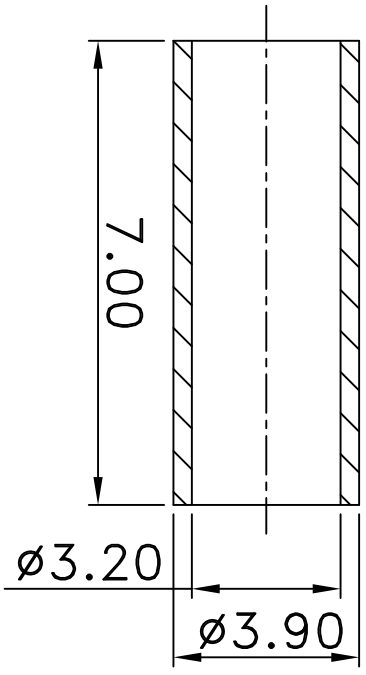
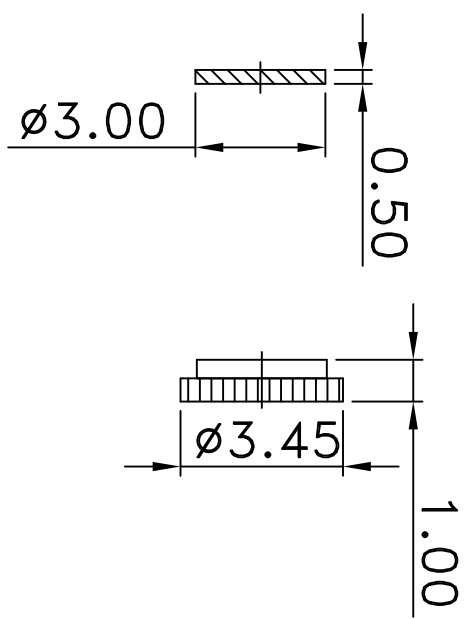
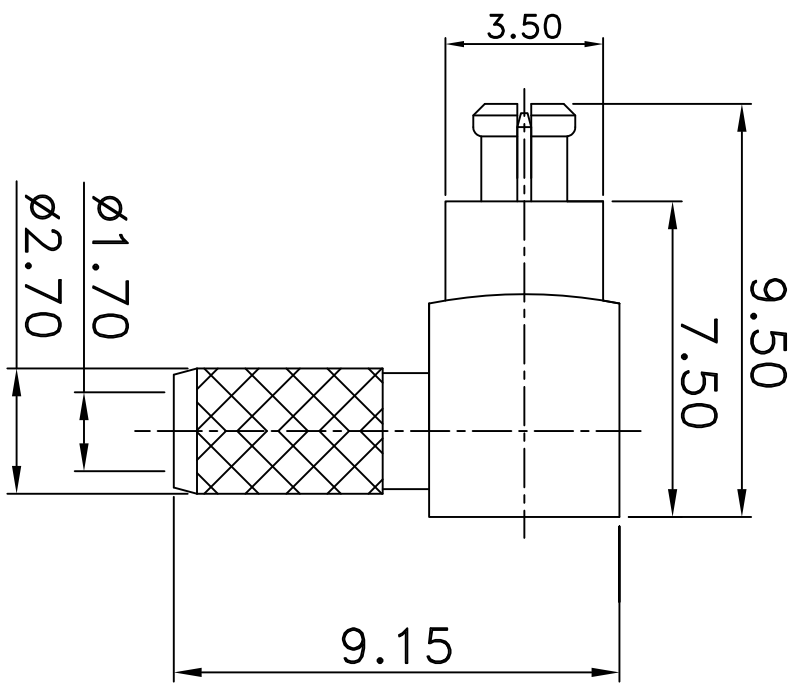


REV	DESCRIPTION	DRAWN	DATE



NO	Description	Qty	Material	Finish
3	DIELECTRIC	1	TEFLON	NONE
2	PIN	1	BRASS	GOLD
1	BODY	1	BRASS	GOLD

R&D



* MAJOR DIMENSION

UNLESS OTHERWISE NOTED TOLERANCES
 0.5-6 = ±0.2
 6-30 = ±0.4
 30-120 = ±0.6
 120-315 = ±1.0
 ANGLES = ±1.0

SCALE 4/1 UNIT MM

APPROVED
CASH

CHECKED
LYDIA

DRAWN
PEN

DRAWN DATE 09/03/13

RF Castle 華城電子有限公司
 RF CASTLE ELECTRONICS CO., LTD

TITLE
MC-CARD RIGHT ANGLE MALE

DRAWING NO.
MC-CARD-2501-3-L-TGN

REV
SL A