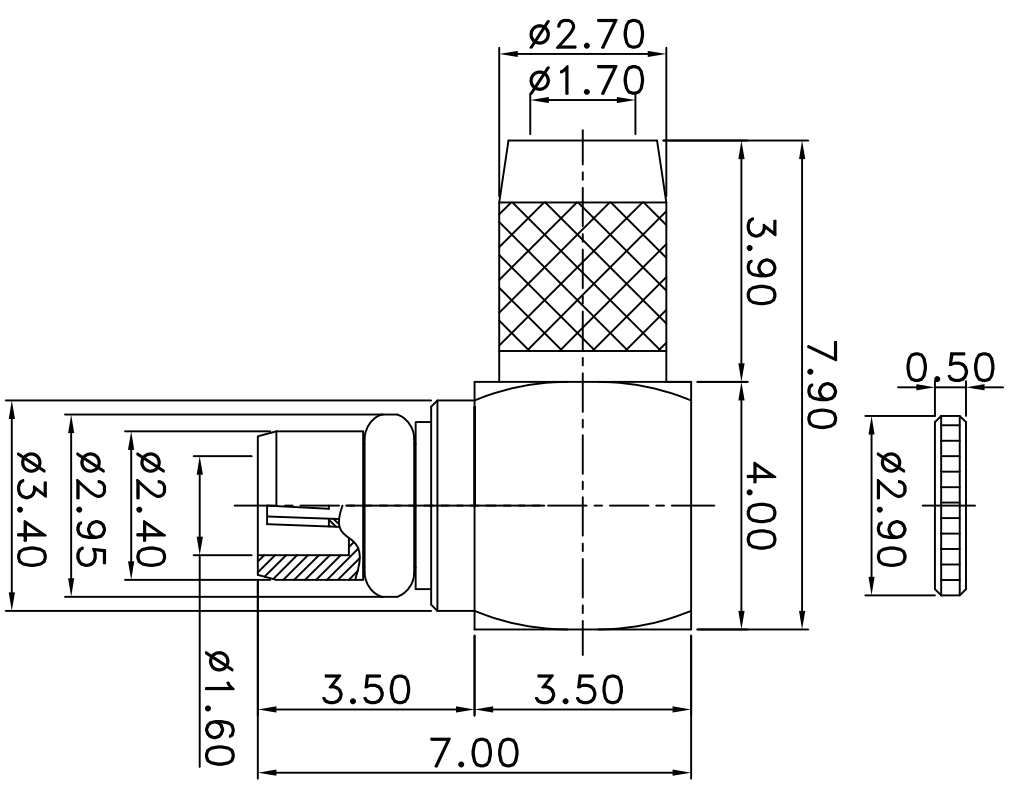
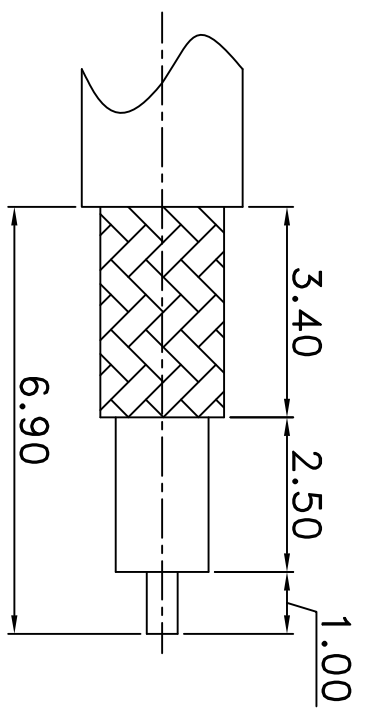
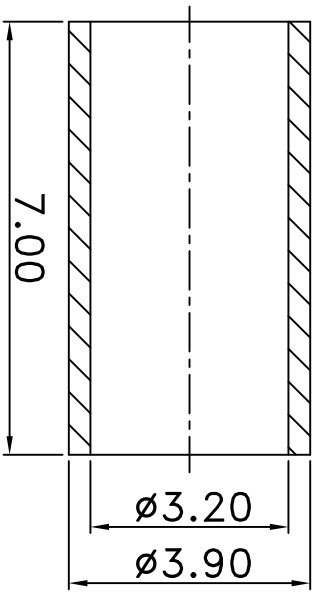


REV	DESCRIPTION	DRAWN	DATE



R&D



* MAJOR DIMENSION

UNLESS OTHERWISE NOTED TOLERANCES
 0.5-6 = ± 0.2
 6-30 = ± 0.4
 30-120 = ± 0.6
 120-315 = ± 1.0
 ANGLES = ± 1.0

SCALE 4/1 UNIT MM DRAWN DATE 09/03/13

APPROVED
CASH

CHECKED
LYDIA

DRAWN
PEN

RF Castle 華城電子有限公司
 RF CASTLE ELECTRONICS CO., LTD

TITLE
 MMCX MALE RP RIGHT ANGLE CRIMP

DRAWING NO. MMCX-802-3-L-RP-TGG
 REV
SL A

NO	Description	Qty	Material	Finish
3	DIELECTRIC	1	TEFLON	NONE
2	PIN	1	BRASS	GOLD
1	BODY	1	BRASS	GOLD