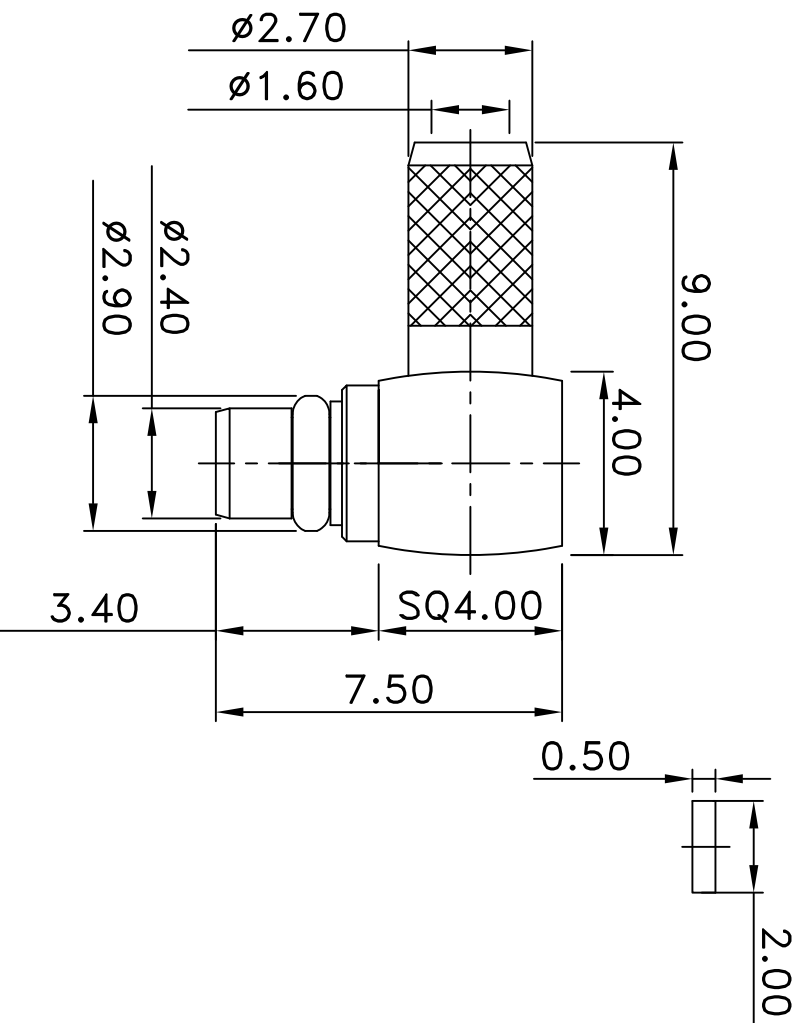
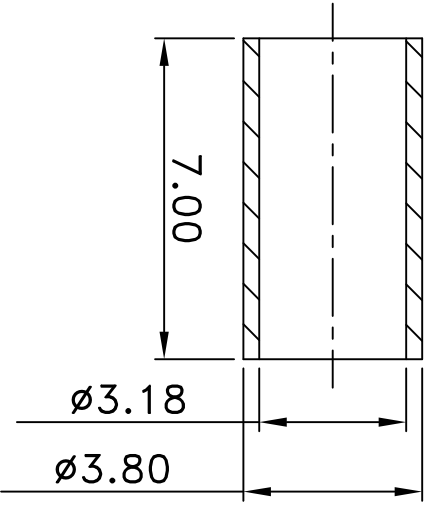


REV	DESCRIPTION	DRAWN	DATE



NO	Description	Qty	Material	Finish
3	DIELECTRIC	1	TEFLON	NONE
2	PIN	1	PHOS BRONZE	GOLD
1	BODY	1	BRASS	GOLD

R&D



\* MAJOR DIMENSION

UNLESS OTHERWISE NOTED TOLERANCES  
 0.5-6 =  $\pm 0.2$   
 6-30 =  $\pm 0.4$   
 30-120 =  $\pm 0.6$   
 120-315 =  $\pm 1.0$   
 ANGLES =  $\pm 1.0$

SCALE 4/1 UNIT MM

APPROVED  
CASH

CHECKED  
LYDIA

DRAWN  
PEN

DRAWN DATE 09/02/03

RF Castle 華城電子有限公司  
RF CASTLE ELECTRONICS CO., LTD

TITLE  
MMCX MALE RA CRIMP

DRAWING NO.  
MMCX-802-9-L-TGG

REV  
GL A