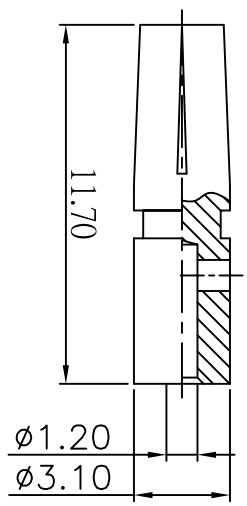
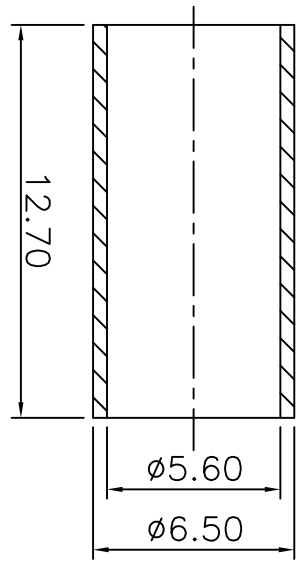
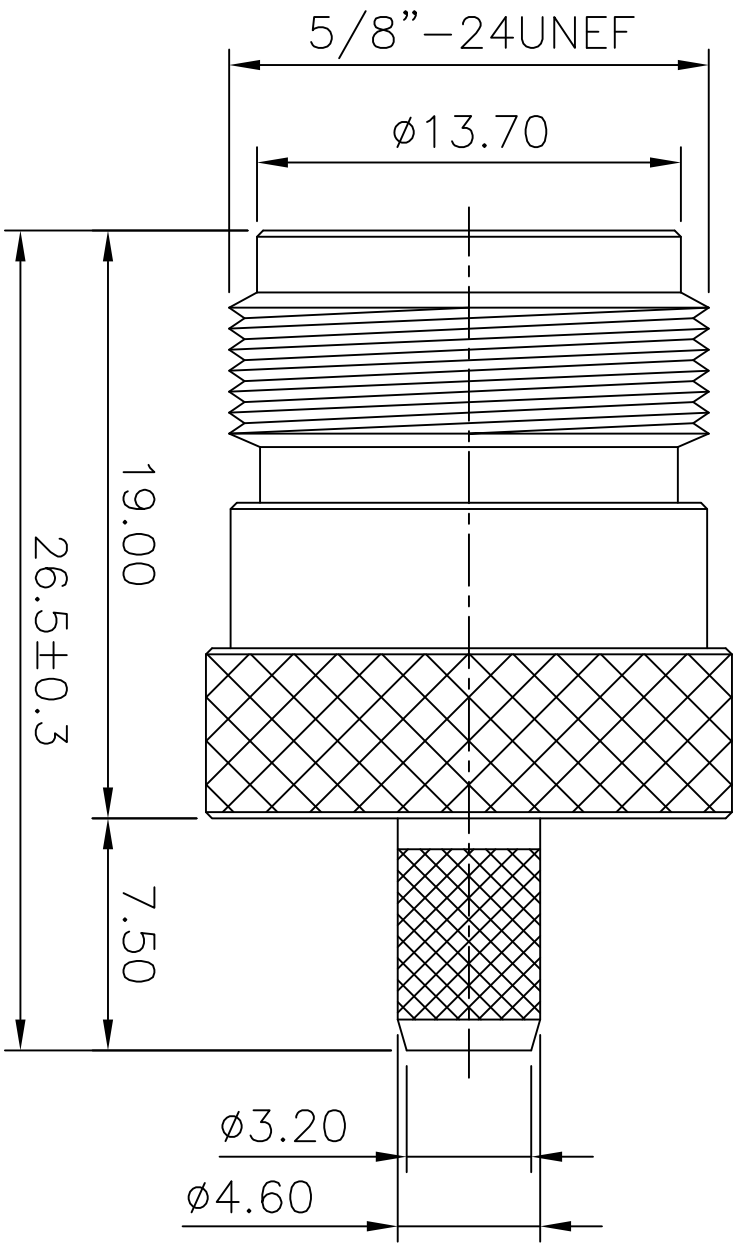


REV	DESCRIPTION	DRAWN	DATE



NO	Description	Qty	Material	Finish
3	DIELECTRIC	1	TEFLON	NONE
2	PIN	1	BRASS	GOLD
1	BODY	1	BRASS	NICKEL

R&D			
* MAJOR DIMENSION		APPROVED CASH	
UNLESS OTHERWISE NOTED TOLERANCES		CHECKED LYDIA	
0.5-6 = ±0.2		DRAWN	
6-30 = ±0.4		PEN	
30-120 = ±0.6		DRAWN DATE 09/03/13	
120-315 = ±1.0		TITLE	
ANGLES = ±1.0			
SCALE 4/1	UNIT MM	N FEMALE CRIMP TYPE	
DRAWING NO. N-1111-16-F-TGN		REV	
GL		A	