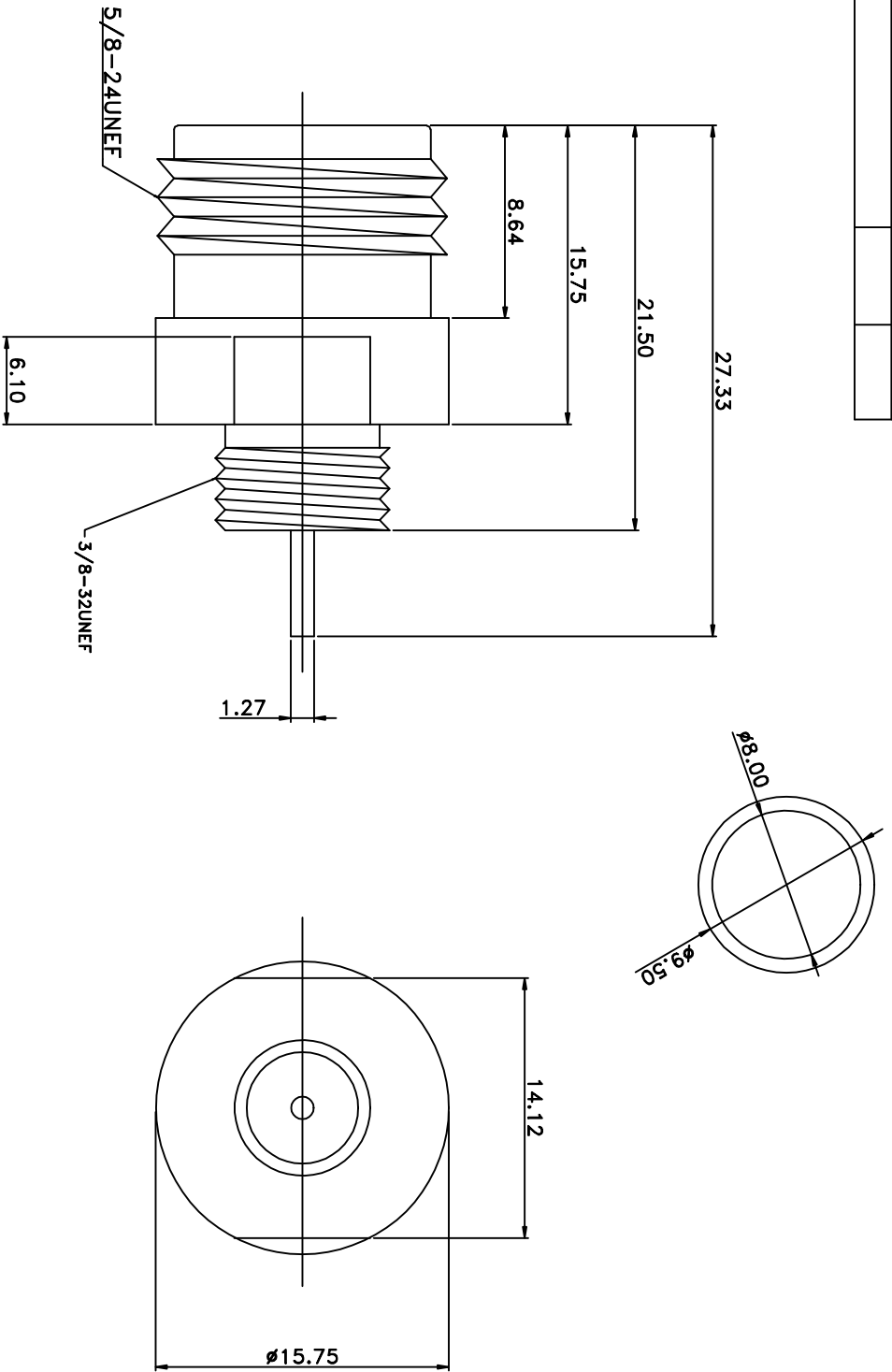
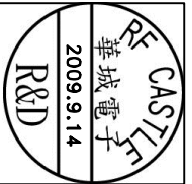


REV	DESCRIPTION	DRAWN	DATE



NO	Description	Qty	Material	Finish
5	DIELECTRIC	1	TEFLON	TEFLON
4	CONTACT PLATING	1	GOLD	GOLD
3	CONTACT	1	BRASS	BRASS
2	BODY PLATING	1	GOLD	GOLD
1	BODY	1	BRASS	BRASS

R&D



* MAJOR DIMENSION

UNLESS OTHERWISE NOTED TOLERANCES
 0.5-6=±0.2
 6-30=±0.4
 30-120=±0.6
 120-315=±1.0
 ANGLES=±1°

SCALE 4/1 UNIT MM DRAWN DATE 09/09/14

APPROVED

CASH

CHECKED

LYDIA

DRAWN

PEN

RF CASTLE 華城電子有限公司
 RF CASTLE ELECTRONICS CO.,LTD

TITLE

N FEMALE FRONT MOUNT

DRAWING NO.

N-1111-17-TGN

REV

GL A