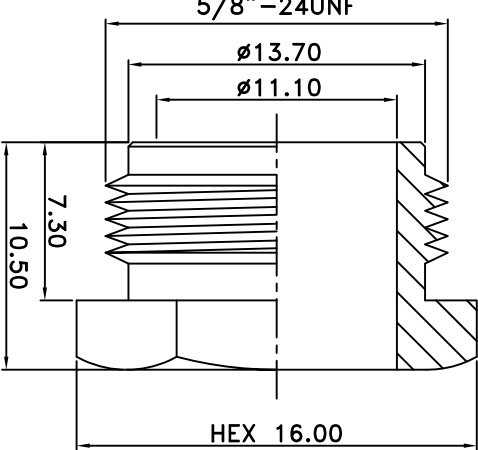
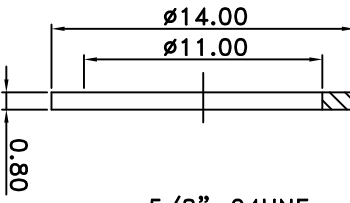
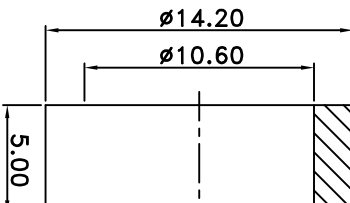
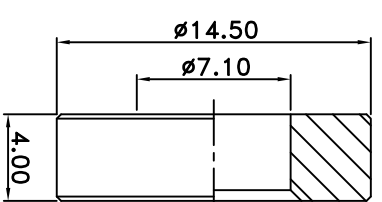
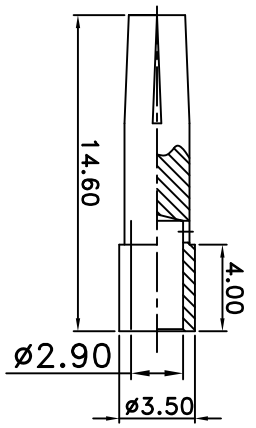
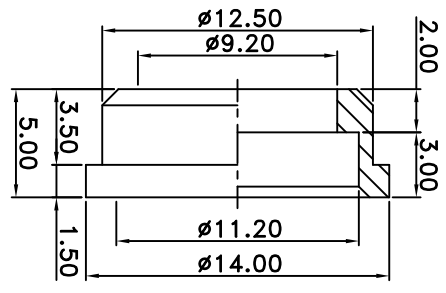
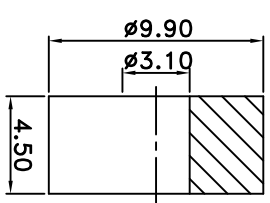
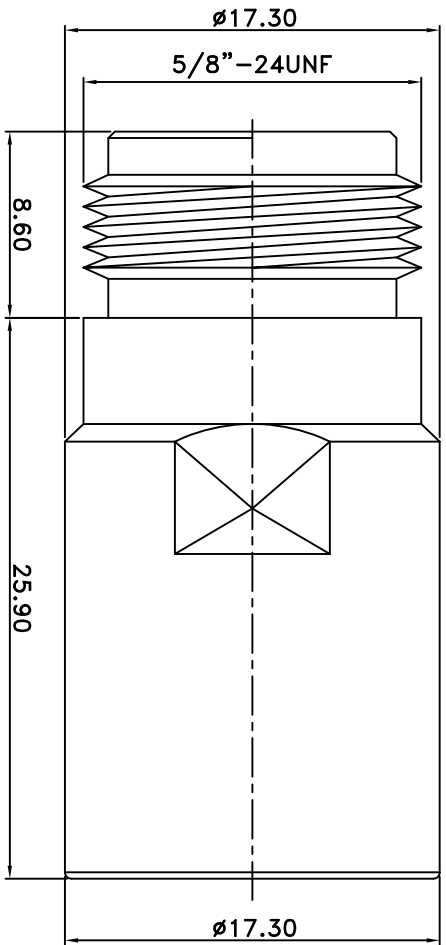
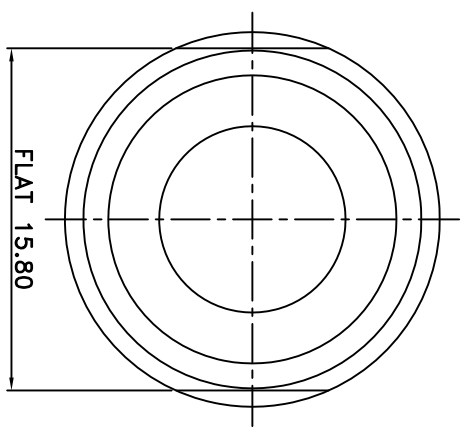


REV	DESCRIPTION	DRAWN	DATE



NO	Description	Qty	Material	Finish
3	DIELECTRIC	1	TEFLON	NONE
2	PIN	1	BRASS	GOLD
1	BODY	1	BRASS	NICKEL

R&D



* MAJOR DIMENSION

UNLESS OTHERWISE NOTED TOLERANCES
 0.5-6 = ± 0.2
 6-30 = ± 0.4
 30-120 = ± 0.6
 120-315 = ± 1.0
 ANGLES = $\pm 1^\circ$

SCALE 4/1 UNIT MM

APPROVED

CASH

CHECKED

LYDIA

DRAWN

PEN

DRAWN DATE 09/03/13

RF CASTLE 華城電子有限公司
 RF CASTLE ELECTRONICS CO., LTD

TITLE
 N FEMALE CLAMP TYPE

DRAWING NO.
 N-1115-1-B4-TGN

REV
 GL A