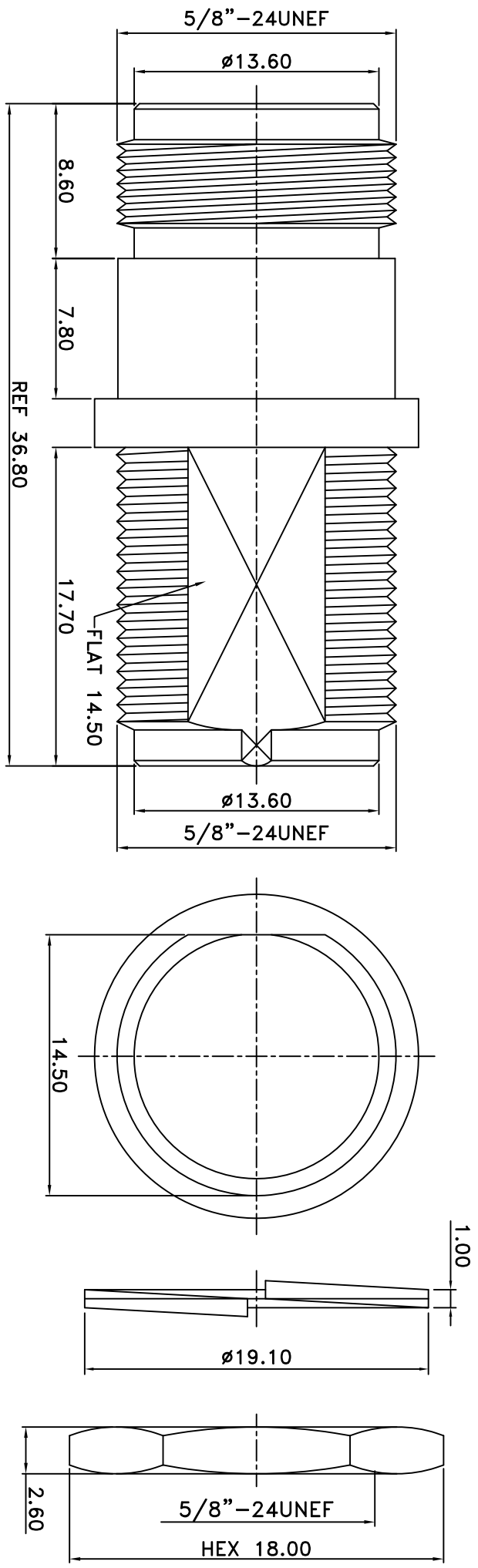


REV	DESCRIPTION	DRAWN	DATE



NO	Description	Qty	Material	Finish
6	NUT	1	BRASS	NICKEL
5	PARTS	1	BERYLLIUM	NICKEL
4	SLEEVE	2	BRASS	NICKEL
3	DIELECTRIC	2	TEFLON	NONE
2	PIN	1	BRASS	GOLD
1	BODY	1	BRASS	NICKEL

**R&D**

**\* MAJOR DIMENSION**

UNLESS OTHERWISE NOTED TOLERANCES  
0.5-6 = ±0.2  
6-30 = ±0.4  
30-120 = ±0.6  
120-315 = ±1.0  
ANGLES = ±1°

SCALE 3/1 UNIT MM

APPROVED: CASH  
CHECKED: LYDIA  
DRAWN: ARNO  
DRAWN DATE 03/07/21

**RF CASTLE 華城電子有限公司**  
RF CASTLE ELECTRONICS CO., LTD

TITLE: N DOUBLE FEMALE BULKHEAD  
DRAWING NO. N-1130-2-TGN  
REV: LY A