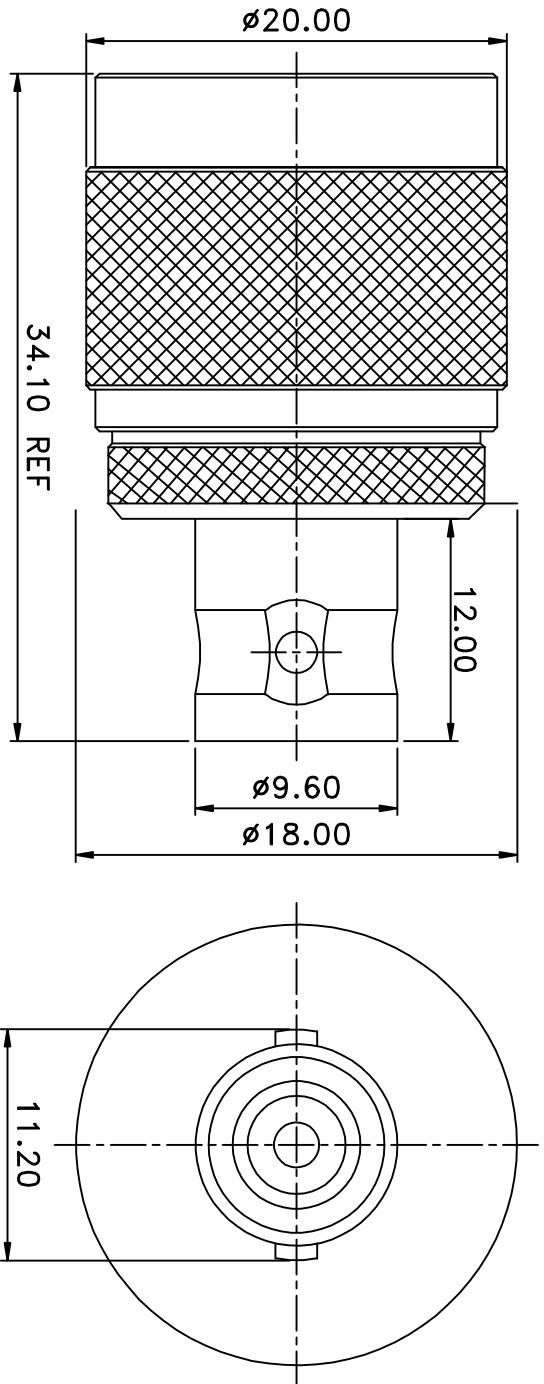


REV	DESCRIPTION	DRAWN	DATE



NO	Description	Qty	Material	Finish
8	GASKET(G-003-SI)	1	SI-RUBBER	ORANGE
7	RETAINING RING(W-010)	1	BRASS	NICKEL
6	SHELL(S-005)	1	BRASS	NICKEL
5	GROUND RING(E-004)	1	BRASS	NICKEL
4	DIELECTRIC(T-01051)	1	TEFLON	NONE
3	DIELECTRIC(T-02025)	1	TEFLON	NONE
2	PIN(C-08025)	1	BRASS	GOLD
1	BODY(B-08015)	1	BRASS	NICKEL



R&D

* MAJOR DIMENSION

UNLESS OTHERWISE NOTED
 TOLERANCES
 0.5-6=±0.2
 6-30=±0.4
 30-120=±0.6
 120-315=±1.0
 ANGLES=±1°

SCALE 3/1 UNIT MM

APPROVED

CASH

CHECKED

LYDIA

DRAWN

PEN

DRAWN DATE 04/05/27

RFP Castle 華城電子有限公司
 RFP CASTLE ELECTRONICS CO.,LTD

TITLE

N MALE TO BNC FEMALE ADAPTER

DRAWING NO.

N-1132-2-TGN

REV

A