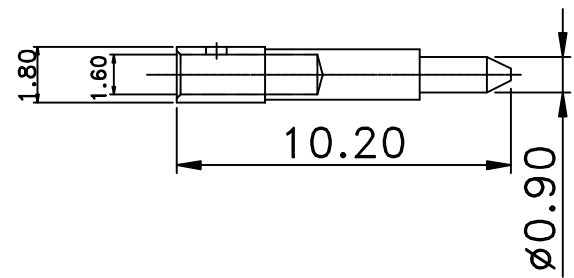
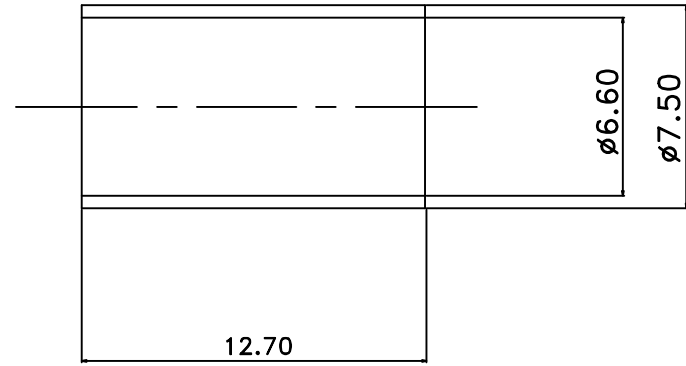
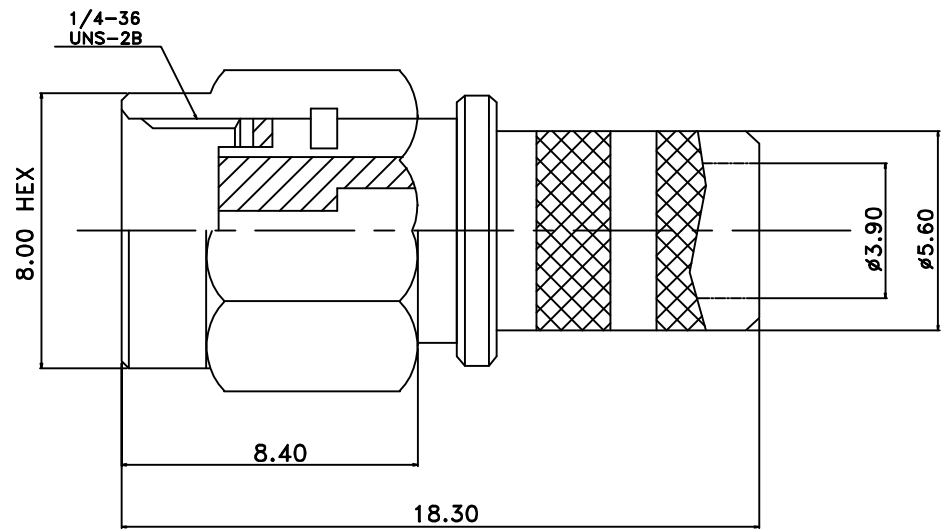



REV	DESCRIPTION	DRAWN	DATE



NO	Description	Qty	Material	Finish
3	DIELECTRIC	1	TEFLON	WHITE
2	PIN	1	phosphor	GOLD
1	BODY	1	BRASS	GOLD

R&D



RF CASTLE  
華城電子  
2009.03.13  
R&D

**\* MAJOR DIMENSION**

UNLESS OTHERWISE NOTED TOLERANCES  
 0.5-6=±0.2  
 6-30=±0.4  
 30-120=±0.6  
 120-315=±1.0  
 ANGLES=±1°


SCALE	4/1	UNIT	MM
-------	-----	------	----

APPROVED  
CASH

CHECKED  
LYDIA

DRAWN  
PEN

DRAWN DATE 09/11/06



華城電子有限公司

RF CASTLE ELECTRONICS CO.,LTD

TITLE  
SMA PLUG CRIMP TYPE(H155)

DRAWING NO. SMA-1001-19-G-TGG	REV LY A
----------------------------------	-------------