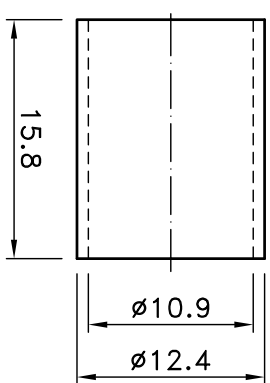
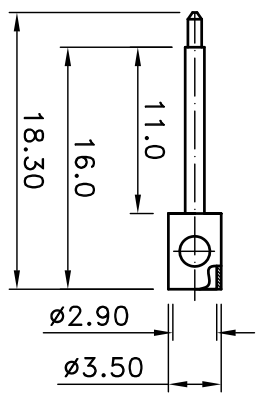
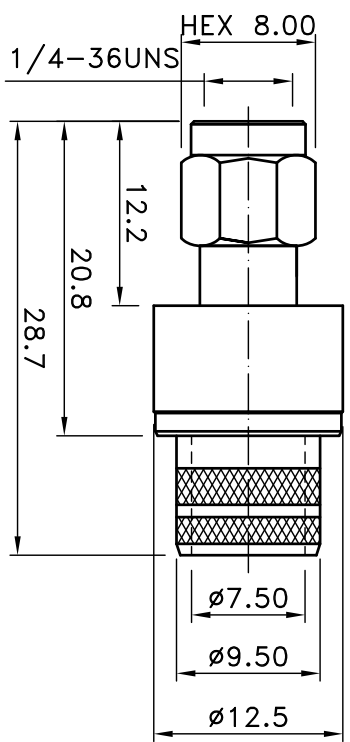
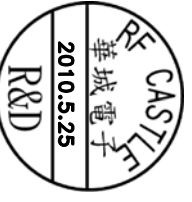


REV	DESCRIPTION	DRAWN	DATE



NO	Description	Qty	Material	Finish
9				
8				
7	C-RING	1	BE BRONZE	NONE
6	SHELL	1	BRASS	NICKEL
5	GASKET	1	SILICONE	NONE
4	INSULATOR	1	TEFLON	NONE
3	FERRULE	1	BRASS	NICKEL
2	PIN	1	BE BRONZE	GOLD
1	BODY	1	BRASS	NICKEL

**R&D**



**\* MAJOR DIMENSION**

UNLESS OTHERWISE NOTED  
 TOLERANCES  
 0.5-6=±0.2  
 6-30=±0.4  
 30-120=±0.6  
 120-315=±1.0  
 ANGLES=±1°

SCALE 4/1    UNIT    MM

**APPROVED**  
**CASH**

**CHECKED**  
**LYDIA**

**DRAWN**  
**PEN**

**DRAWN DATE** 5/25/10

**R&D Castle 華城電子有限公司**  
**RF CASTLE ELECTRONICS CO., LTD**

**TITLE**  
**RP SMA MALE CRIMP**

**DRAWING NO.**  
**SMA-1001-2-B4-TGN**

**REV**  
**YL A**