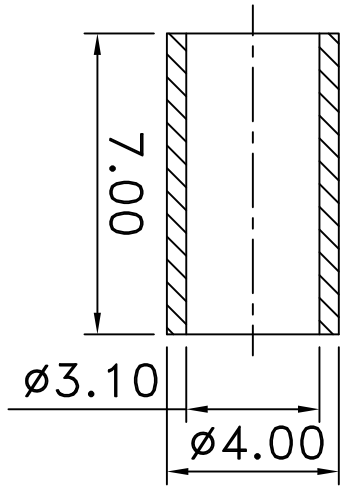
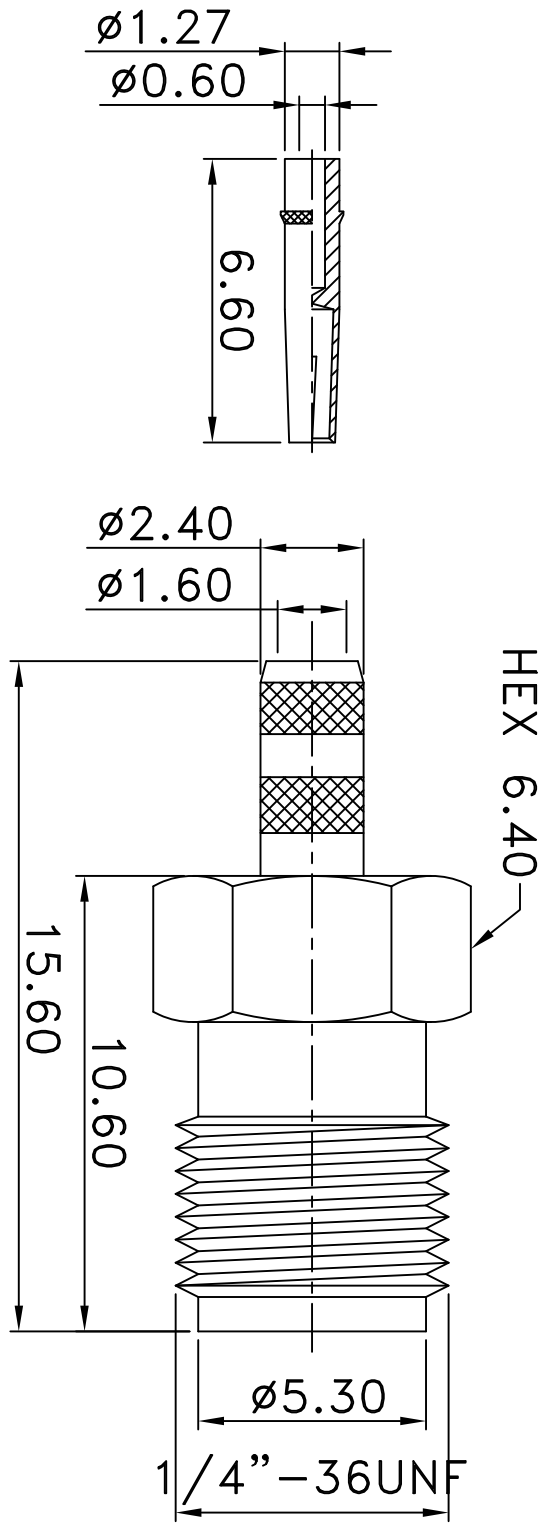


REV	DESCRIPTION	DRAWN	DATE



NO	Description	Qty	Material	Finish
3	DIELECTRIC	1	TEFLON	NONE
2	PIN	1	BRASS	GOLD
1	BODY	1	BRASS	GOLD

R&D

*** MAJOR DIMENSION**

UNLESS OTHERWISE NOTED TOLERANCES
 0.5-6 = ±0.2
 6-30 = ±0.4
 30-120 = ±0.6
 120-315 = ±1.0
 ANGLES = ±1.0

SCALE 4/1 UNIT MM

APPROVED
CASH

CHECKED
LYDIA

DRAWN
PEN

DRAWN DATE 09/03/13

RF CASTLE 華城電子有限公司
RF CASTLE ELECTRONICS CO., LTD

TITLE
SMA FEMALE CRIMP TYPE

DRAWING NO.
SMA-1011-1-L-TGG

REV
LY A