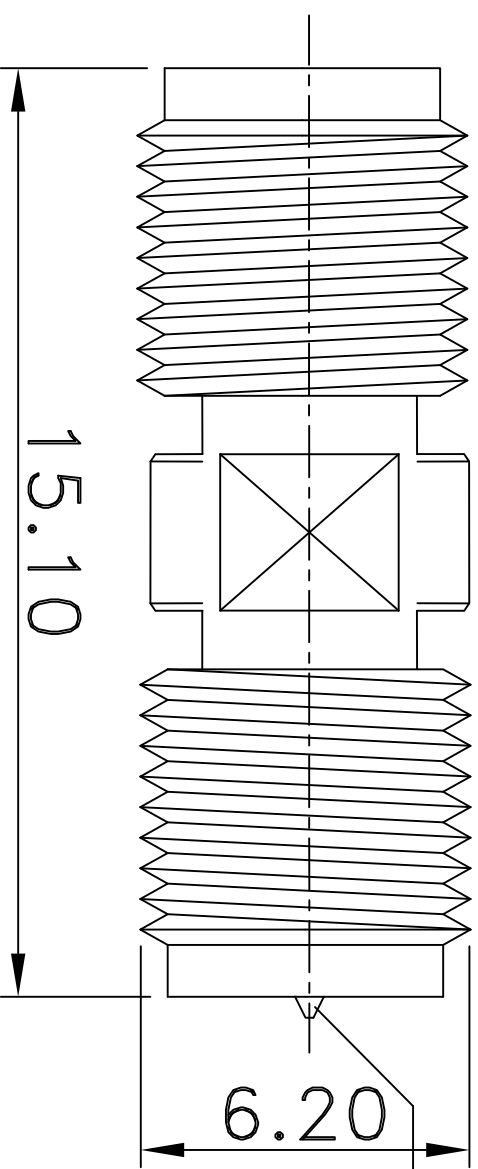


REV	DESCRIPTION	DRAWN	DATE



MALE PIN

NO	Description	Qty	Material	Finish
3	DIELECTRIC	1	TEFLON	NONE
2	PIN	1	BRASS	GOLD
1	BODY	1	BRASS	GOLD

<b>R&amp;D</b>			
<p>* MAJOR DIMENSION</p> <p>UNLESS OTHERWISE NOTED TOLERANCES</p> <p>0.5-6 = ±0.2</p> <p>6-30 = ±0.4</p> <p>30-120 = ±0.6</p> <p>120-315 = ±1.0</p> <p>ANGLES = ±1.0</p>		<p>APPROVED</p> <p>CASH</p> <p>CHECKED</p> <p>LYDIA</p> <p>DRAWN</p> <p>PEN</p>	
SCALE	4/1	UNIT	MM
DRAWN DATE		09/03/13	
TITLE		<p>SMA FEMALE TO SMA FEMALE RP</p> <p>DRAWING NO. SMA-1021-2-RP-TGG</p>	
REV		LY A	

RF CASTLE 華城電子有限公司  
RF CASTLE ELECTRONICS CO., LTD