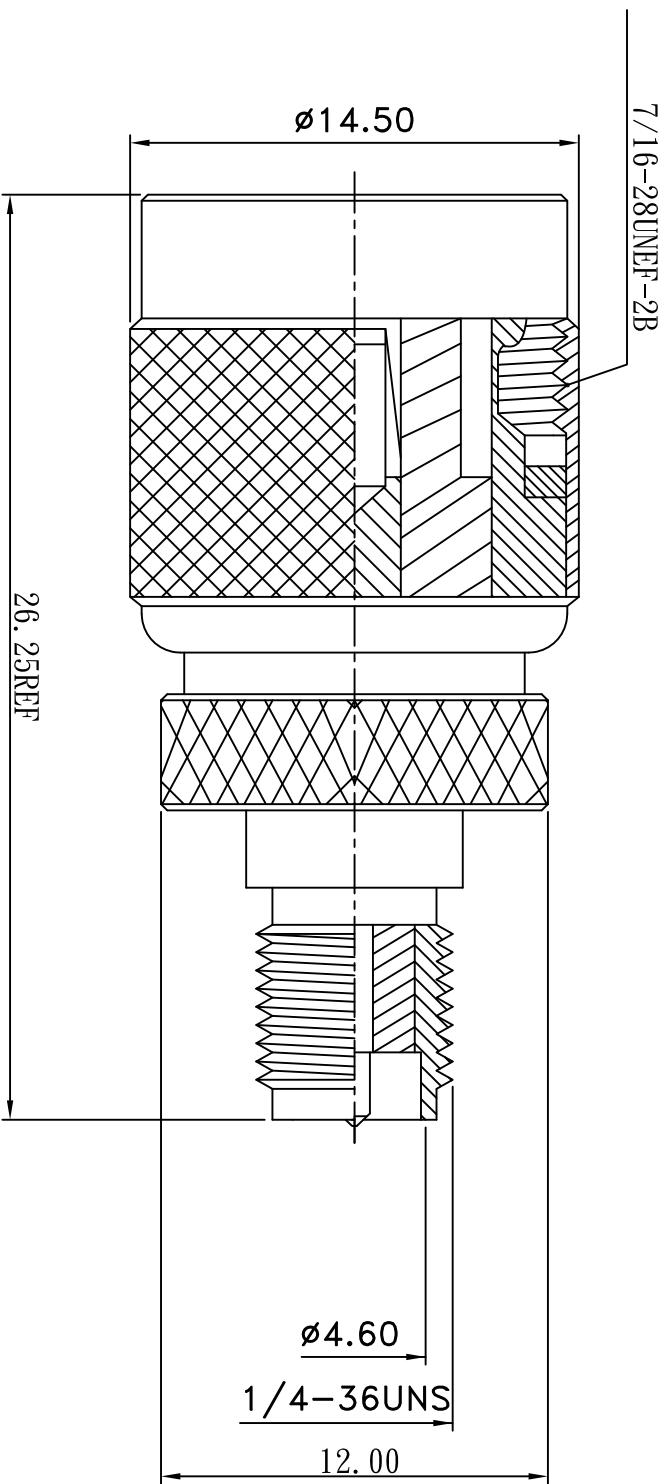


REV	DESCRIPTION	DRAWN	DATE



NO	Description	Qty	Material	Finish
3	DIELECTRIC	1	TEFLON	NONE
2	PIN	1	BRASS	GOLD
1	BODY	1	BRASS	Nickel

R&D

* MAJOR DIMENSION
 UNLESS OTHERWISE NOTED TOLERANCES
 0.5-6 = ±0.2
 6-30 = ±0.4
 30-120 = ±0.6
 120-315 = ±1.0
 ANGLES = ±1.0

APPROVED	CHECKED	DRAWN	DRAWN DATE
CASH	LYDIA	PEN	09/08/13

RF Castle 華城電子有限公司
 RF CASTLE ELECTRONICS CO., LTD

TITLE: SMA FEMALE RP TO TNC MALE RP ADAPTER
 DRAWING NO. SMA-1029-5-RP-TGN

REV: GL A