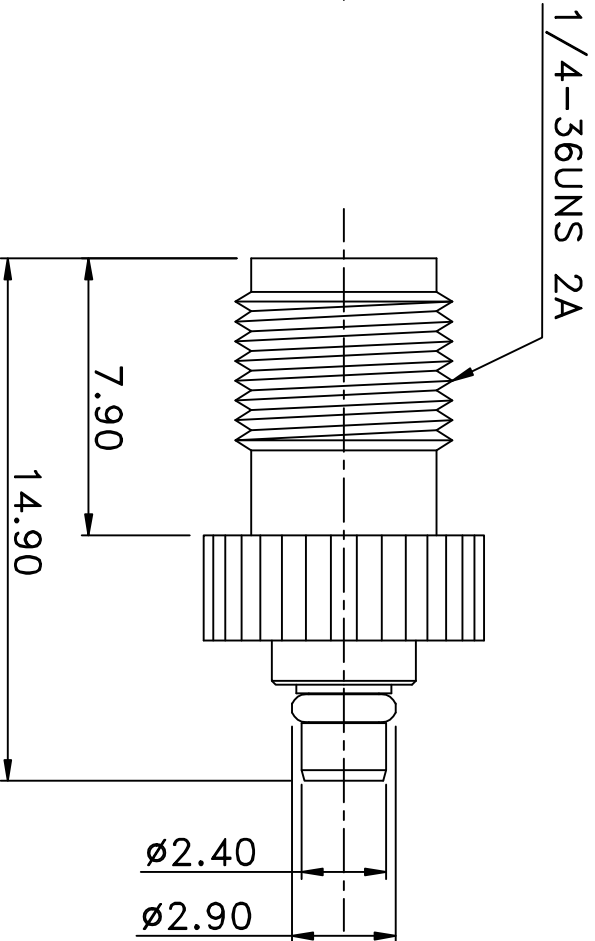
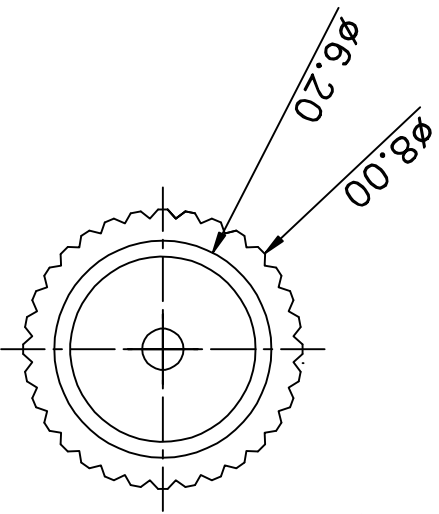


REV	DESCRIPTION	DRAWN	DATE



NO	Description	Qty	Material	Finish
3	DIELECTRIC	1	TEFLON	NONE
2	PIN	1	BRASS	GOLD
1	BODY	1	BRASS	GOLD

R&D			
* MAJOR DIMENSION		UNLESS OTHERWISE NOTED	
SCALE	5/1	UNIT	MM
APPROVED		CASH	
CHECKED		LYDIA	
DRAWN		KEVIN	
DRAWN DATE		10/08/20	
TITLE		SMA FEMALE TO MMCX MALE	
DRAWING NO.		SMA-1062-1-TGG	
REV		A	

華城電子有限公司
 RF CASTLE ELECTRONICS CO.,LTD