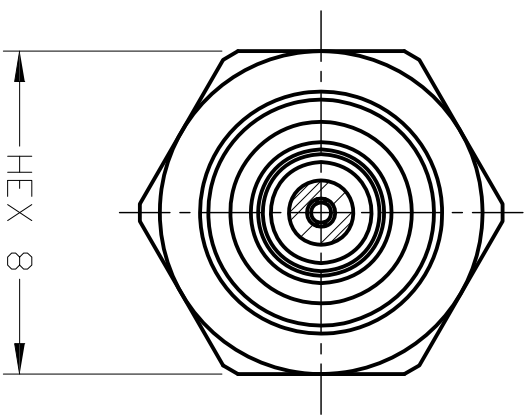
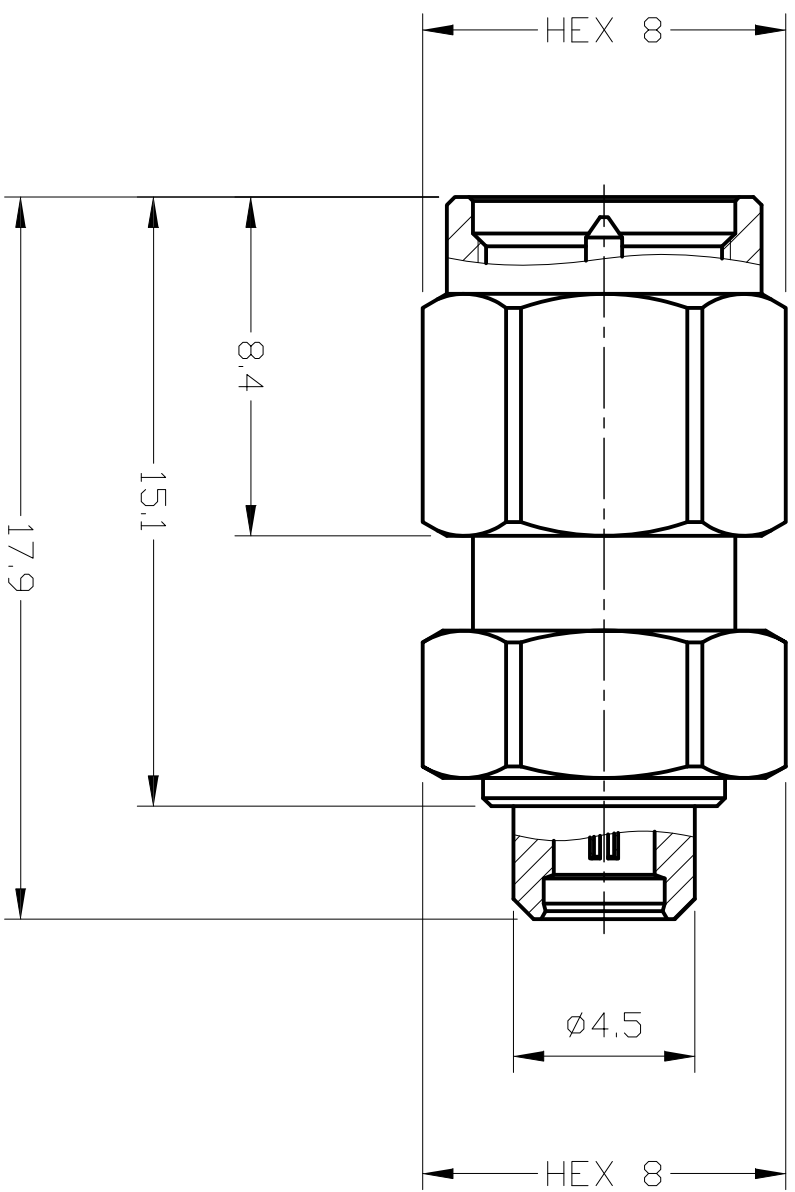
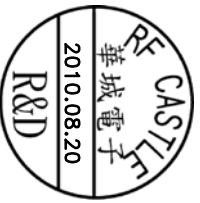


REV	DESCRIPTION	DRAWN	DATE



NO	Description	Qty	Material	Finish
8	BODY	1	BRASS	GOLD
7	INSULATOR	1	TEFLON	NONE
6	CENTER PIN	1	BRONZE	GOLD
5	INSULATOR	1	TEFLON	NONE
4	BODY	1	BRASS	GOLD
3	INNER RETAINING RING	1	STAINLESS	NONE
2	GASKET	1	SILICONE	NONE
1	SHELL	1	BRASS	GOLD

R&D



\* MAJOR DIMENSION

UNLESS OTHERWISE NOTED TOLERANCES  
 0.5-6=±0.2  
 6-30=±0.4  
 30-120=±0.6  
 120-315=±1.0  
 ANGLES=±1°

SCALE	5/1	UNIT	MM
DRAWN	DATE	10/08/20	

APPROVED  
CASH

CHECKED  
LYDIA

DRAWN  
KEVIN



TITLE  
SMA Male to MMCX Female  
 DRAWING NO.  
SMA-1064-1-TGG

REV	A
-----	---