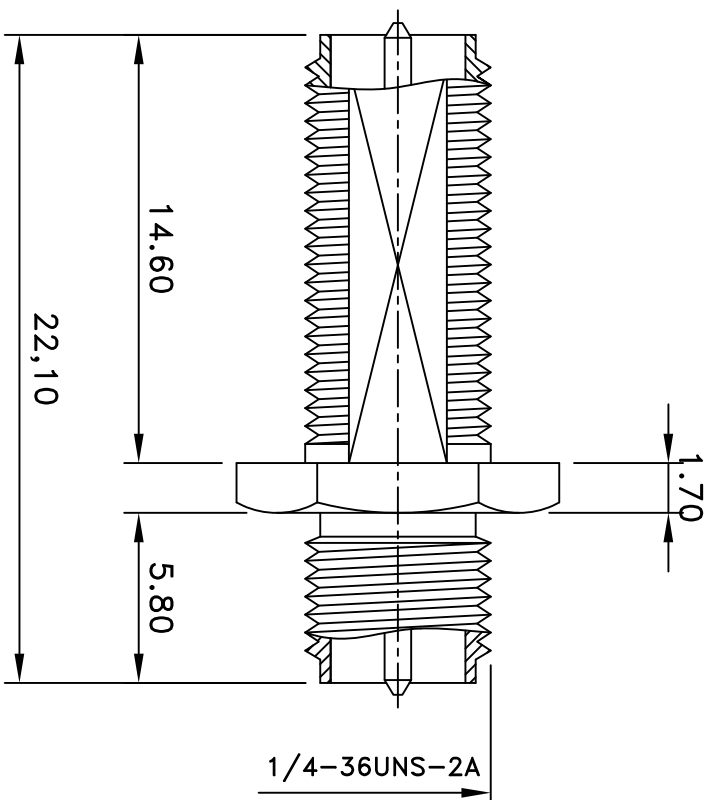
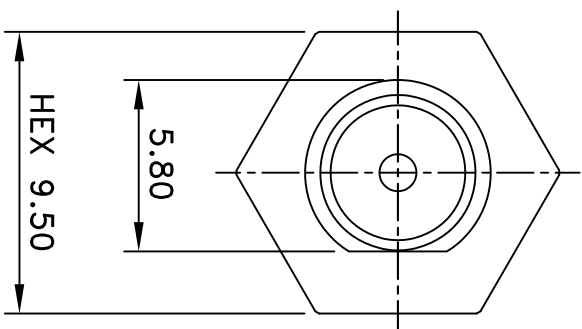
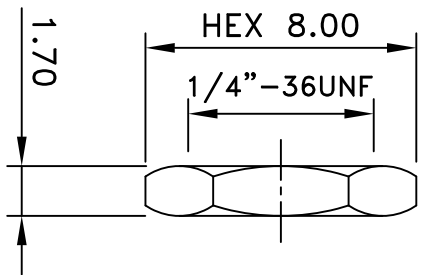
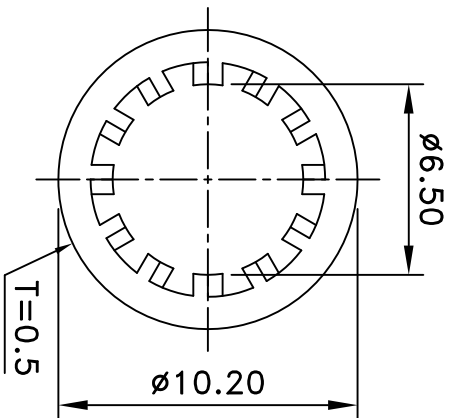


REV	DESCRIPTION	DRAWN	DATE



NO	Description	Qty	Material	Finish
5	NUT	1	BRASS	GOLD
4	WASHER	1	BRASS	GOLD
3	DIELECTRIC	1	TEFLON	WHITE
2	PIN	1	PHOS BRONZE	GOLD
1	BODY	1	BRASS	GOLD

R&D

* MAJOR DIMENSION	APPROVED
UNLESS OTHERWISE NOTED TOLERANCES 0.5-6=±0.2 6-30=±0.4 30-120=±0.6 120-315=±1.0 ANGLES=±1°	CASH
SCALE 1/1	CHECKED LYDIA
UNIT MM	DRAWN KEVIN
DRAWN DATE 01/31/13	

RF Castle 華城電子有限公司
RF CASTLE ELECTRONICS CO., LTD

TITLE: RP SMA DOUBLE FEMALE BULKHEAD
DRAWING NO. SMA-1073-2-RP-TGG

REV LY A