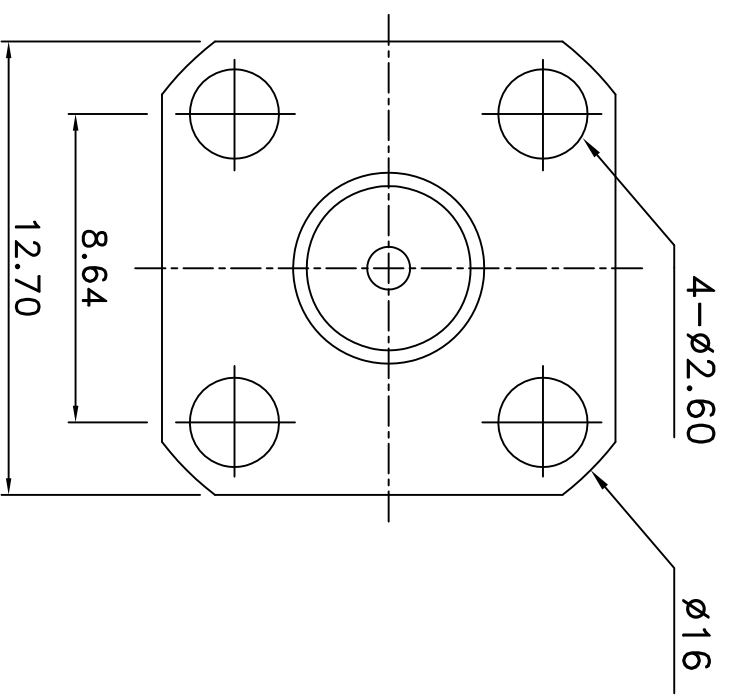
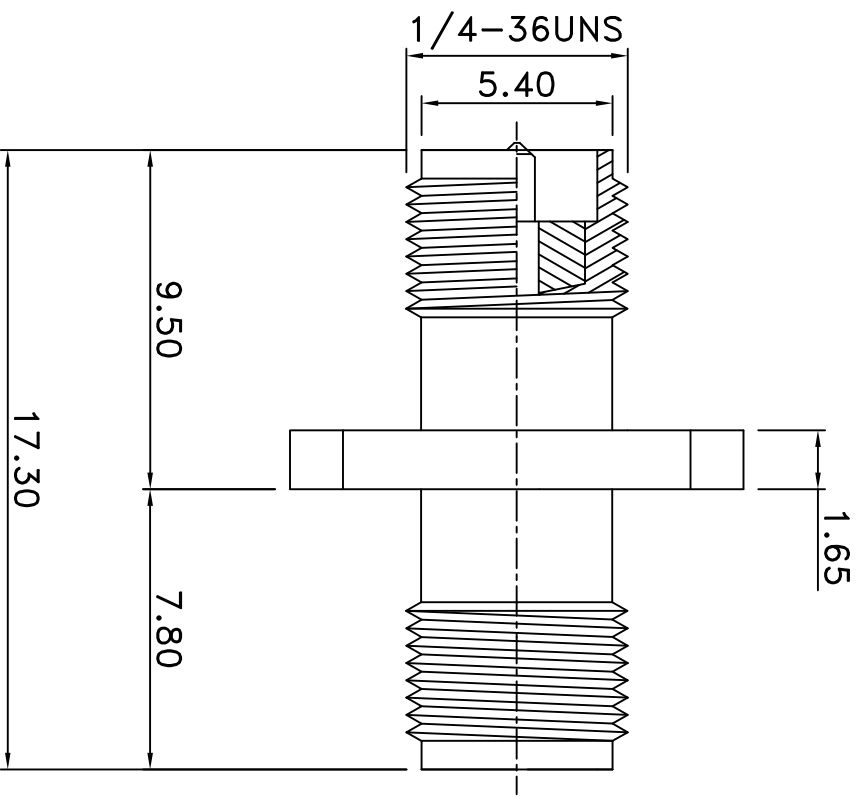


REV	DESCRIPTION	DRAWN	DATE



9																				
8																				
7																				
6																				
5																				
4																				
3																				
2																				
1																				
NO	Description	Qty	Material	Finish	R&D		*MAJOR DIMENSION		APPROVED		TITLE		DRAWING NO.		REV					
					R&D		UNLESS OTHERWISE NOTED TOLERANCES		CASH		RF SMA (F) to SMA (F) PANEL MOUNT-4HOLES		SMA-1076-1-RP-TGG		A					
					R&D		0.5-6=±0.2		CHECKED		華城電子有限公司									
					R&D		6-30=±0.4		LYDIA		RF CASTLE ELECTRONICS CO.,LTD									
					R&D		30-120=±0.6		PEN											
					R&D		120-315=±1.0													
					R&D		ANGLES=±1.0													
					R&D		SCALE 4/1													
					R&D		UNIT MM													
					R&D		DRAWN DATE 10/03/02													