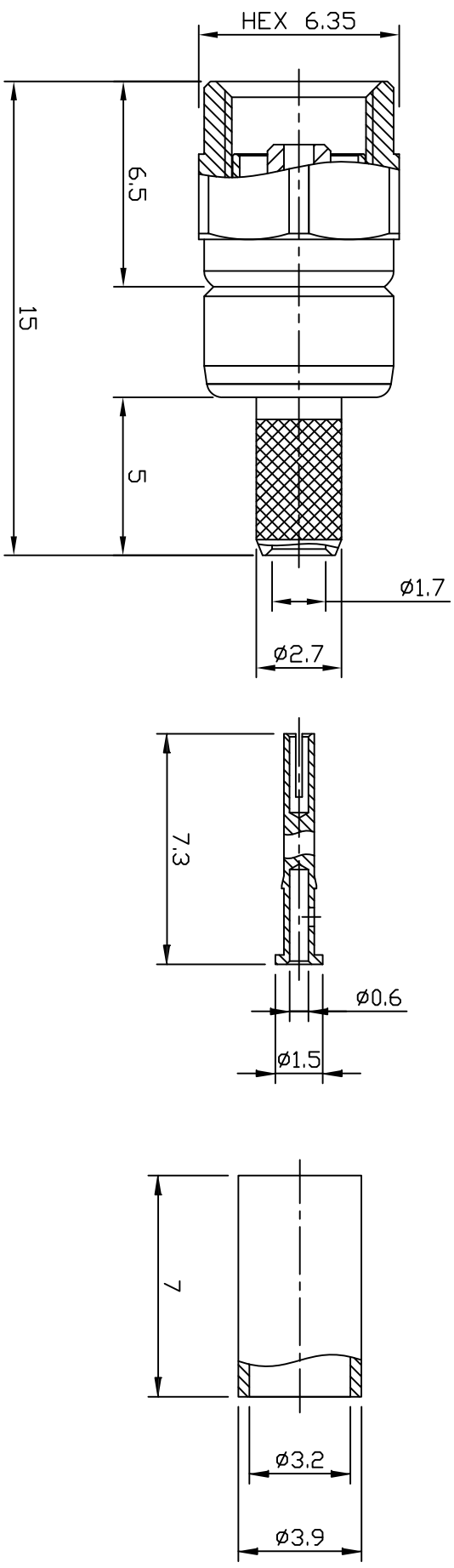


REV	DESCRIPTION	DRAWN	DATE



NO	Description	Qty	Material	Finish
6	FERRULE	1	BRASS	GOLD
5	CENTER PIN	1	BERYLLIUM COPPER	GOLD
4	BDDY	1	BRASS	GOLD
3	INSULATOR	1	TEFLON	NONE
2	BDDY	1	BRASS	GOLD
1	SHELL	1	BRASS	GOLD

R&D

* MAJOR DIMENSION

UNLESS OTHERWISE NOTED TOLERANCES
 0.5-6 = ±0.2
 6-30 = ±0.4
 30-120 = ±0.6
 120-315 = ±1.0
 ANGLES = ±1.0

SCALE 6/1 UNIT MM

APPROVED	CHECKED	DRAWN
CASH	LYDIA	KEVIN

華城電子有限公司
 RF CASTLE ELECTRONICS CO., LTD

TITLE
 SMC MALE CRIMP FOR RG316

DRAWING NO.
 SMC-5502-1-L-TGG

REV
 A