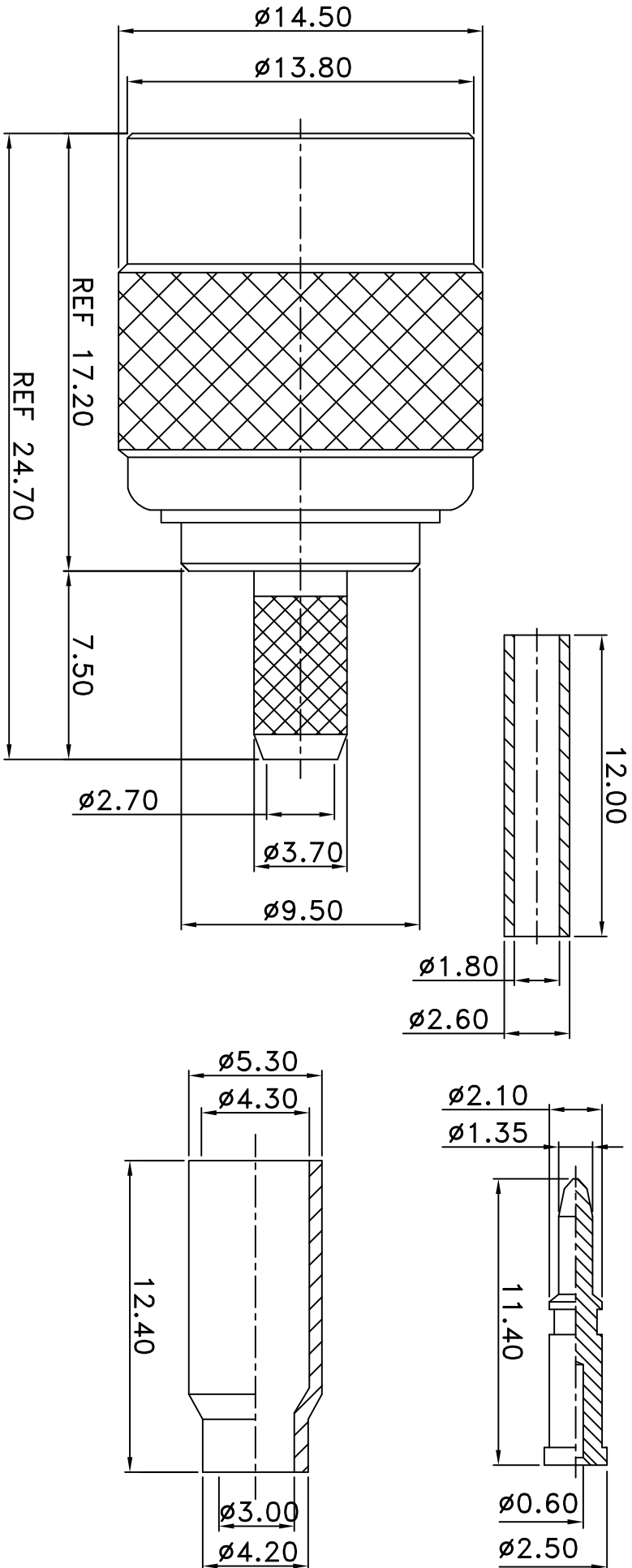


REV	DESCRIPTION	DRAWN	DATE



NO	Description	Qty	Material	Finish
3	DIELECTRIC	1	TEFLON	NONE
2	PIN	1	BRASS	GOLD
1	BODY	1	BRASS	NICKEL

R&D

*** MAJOR DIMENSION**

UNLESS OTHERWISE NOTED TOLERANCES

0.5-6 = ± 0.2

6-30 = ± 0.4

30-120 = ± 0.6

120-315 = ± 1.0

ANGLES = ± 1.0

SCALE 4/1 UNIT MM

APPROVED	
CASH	CHECKED
LYDIA	DRAWN
PEN	DRAWN DATE 09/03/13

RF CASTLE 華城電子有限公司
RF CASTLE ELECTRONICS CO., LTD

TITLE: TNC MALE CRIMP TYPE

DRAWING NO. TNC-1501-5-L-TGN

REV: GL A