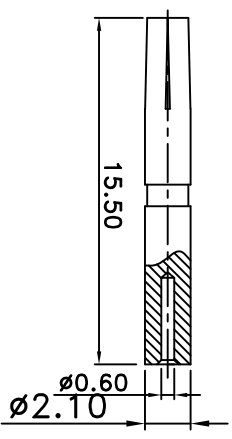
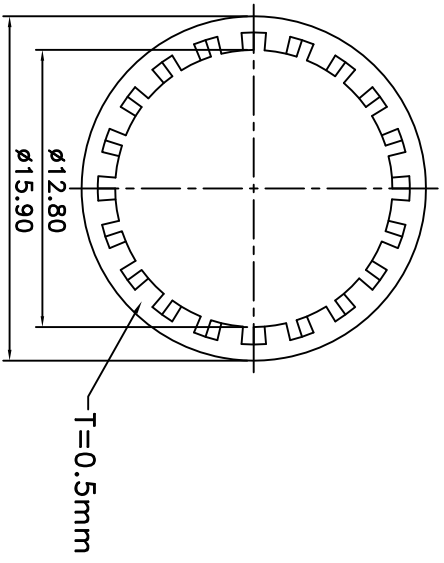
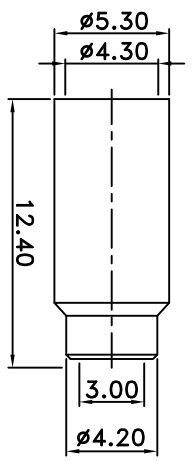
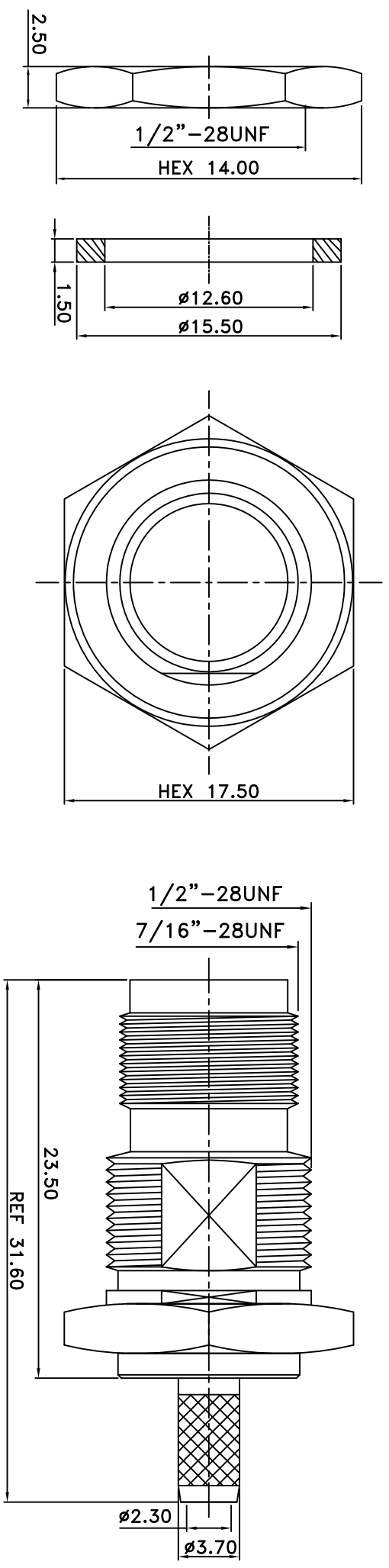


REV	DESCRIPTION	DRAWN	DATE



NO	Description	Qty	Material	Finish
1	BODY	1	BRASS	NICKEL
2	PIN	1	BRASS	GOLD
3	DIELECTRIC	1	TEFLON	NONE

R&D



* MAJOR DIMENSION

UNLESS OTHERWISE NOTED TOLERANCES
 0.5-6 = ±0.2
 6-30 = ±0.4
 30-120 = ±0.6
 120-315 = ±1.0
 ANGLES = ±1°

SCALE 4/1 UNIT MM

APPROVED

CASH

CHECKED

LYDIA

DRAWN

PEN

DRAWN DATE 09/03/13

RF CASTLE 華城電子有限公司
 RF CASTLE ELECTRONICS CO., LTD

TITLE
 TNC FEMALE BULKHEAD CRIMP

DRAWING NO.
 TNC-1514-2-L-TGN

REV
 GL A